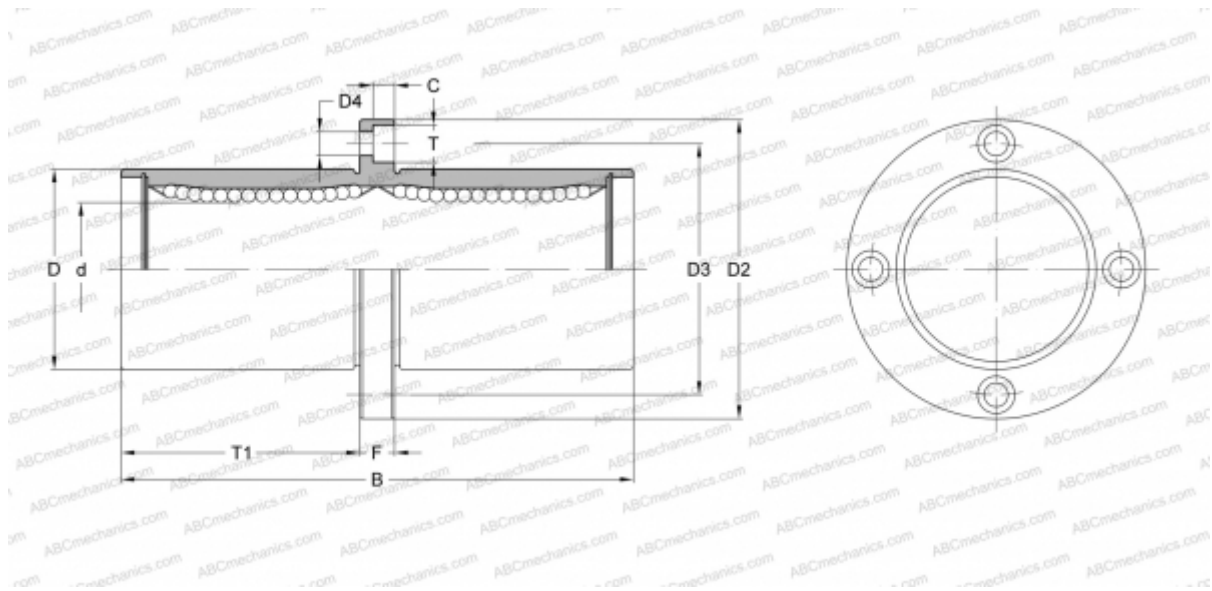


## LMFM13 UU SAMICK

Linear bushing

TYPE: Shaft guidance systems, Linear bushing, Middle flange location, Circular type, Type LMFM, Asian standard, Plastic cage (SAMICK)



### Technical specification

#### DIMENSIONS, MM

|    |        |
|----|--------|
| d  | 13,000 |
| D  | 23,000 |
| B  | 61,000 |
| D2 | 43,000 |
| D3 | 33,000 |
| D4 | 4,500  |
| T  | 8,000  |
| T1 | 27,500 |
| C  | 4,400  |
| F  | 6      |

**WEIGHT, KG** 0,130

**MANUFACTURER** [SAMICK](http://www.samick.com)