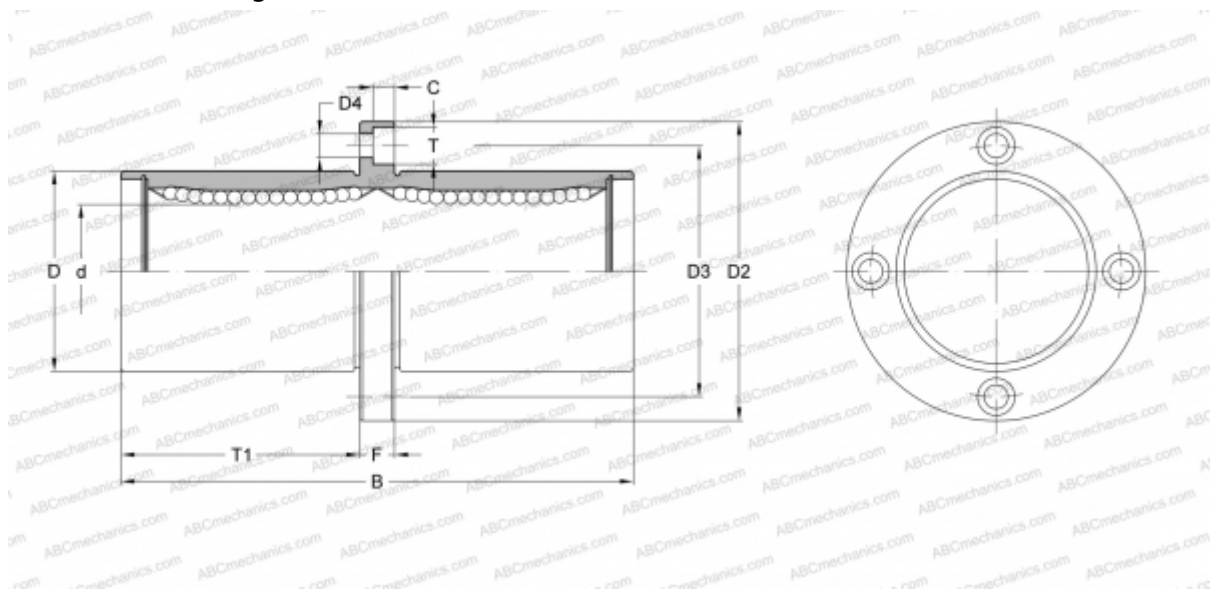


LMFM16 UU SAMICK

Linear bushing

TYPE: Shaft guidance systems, Linear bushing, Middle flange location, Circular type, Type LMFM, Asian standard, Plastic cage (SAMICK)



Technical specification

DIMENSIONS, MM

| | |
|----|--------|
| d | 16,000 |
| D | 28,000 |
| B | 70,000 |
| D2 | 48,000 |
| D3 | 38,000 |
| D4 | 4,500 |
| T | 8,000 |
| T1 | 32,000 |
| C | 4,400 |
| F | 6 |

WEIGHT, KG 0,187

MANUFACTURER [SAMICK](http://www.samick.com)