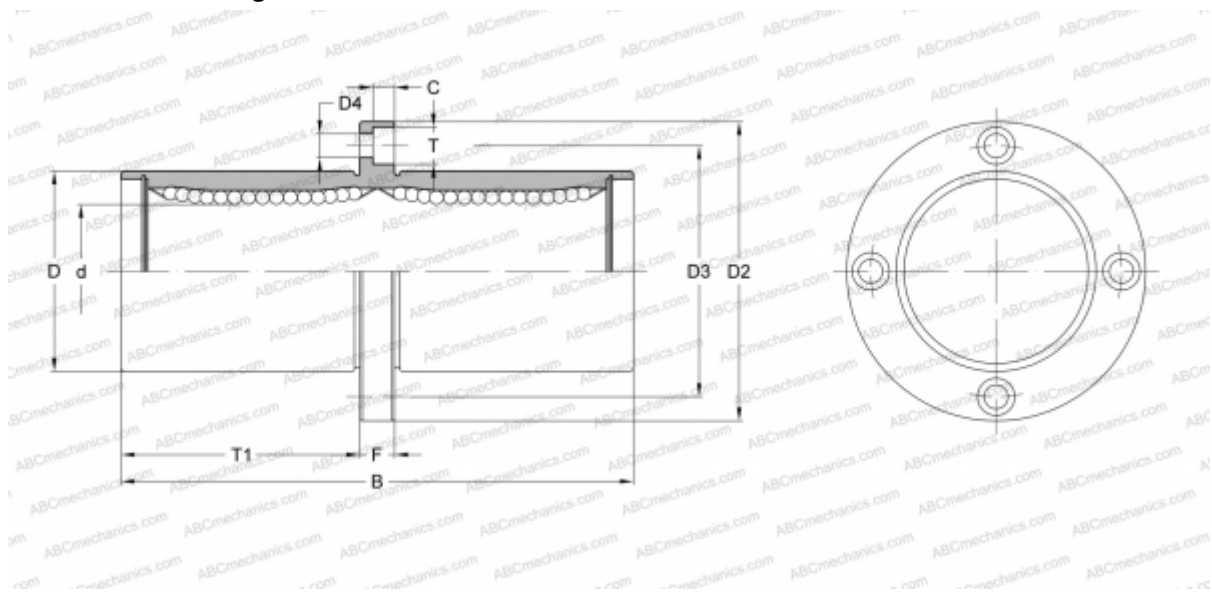


LMFM60 UU SAMICK

Linear bushing

TYPE: Shaft guidance systems, Linear bushing, Middle flange location, Circular type, Type LMFM, Asian standard, Plastic cage (SAMICK)



Technical specification

DIMENSIONS, MM

d	60,000
D	90,000
B	211,000
D2	134,000
D3	112,000
D4	11,000
T	17,500
T1	96,500
C	10,800
F	18

WEIGHT, KG 4,500

MANUFACTURER [SAMICK](http://www.samick.com)