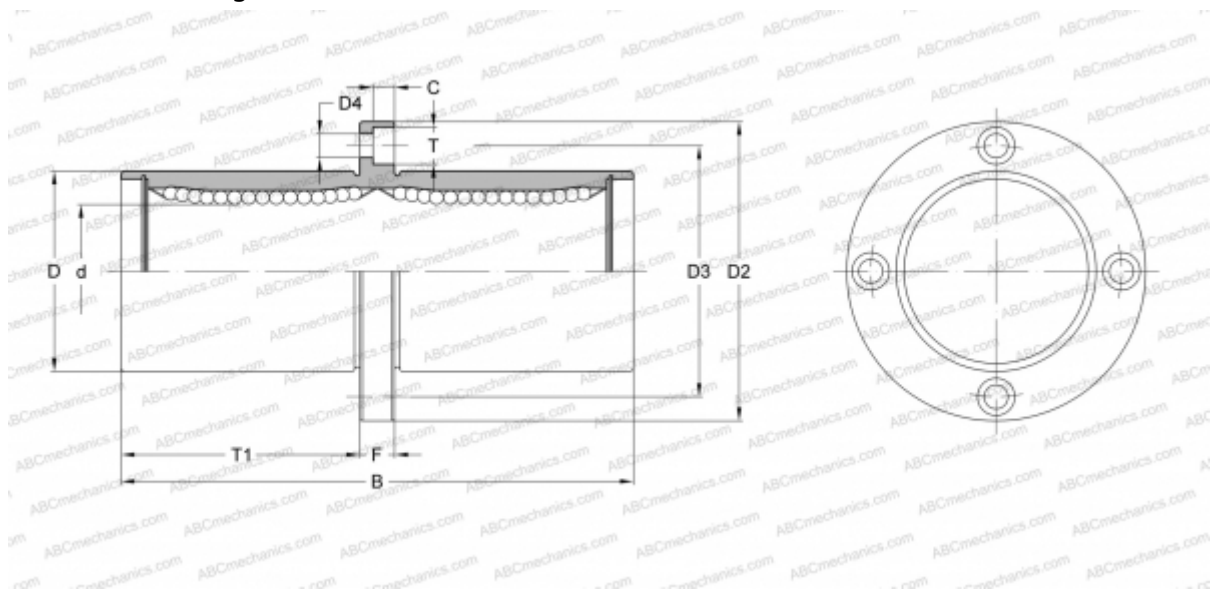


## LMFM6 UU A SAMICK

Linear bushing

TYPE: Shaft guidance systems, Linear bushing, Middle flange location, Circular type, Type LMFM, Asian standard, Steel cage (SAMICK)



### Technical specification

#### DIMENSIONS, MM

d	6,000
D	12,000
B	35,000
D2	28,000
D3	20,000
D4	3,400
T	6,500
T1	15,000
C	3,300
F	5

**WEIGHT, KG** 0,031

**MANUFACTURER** [SAMICK](#)