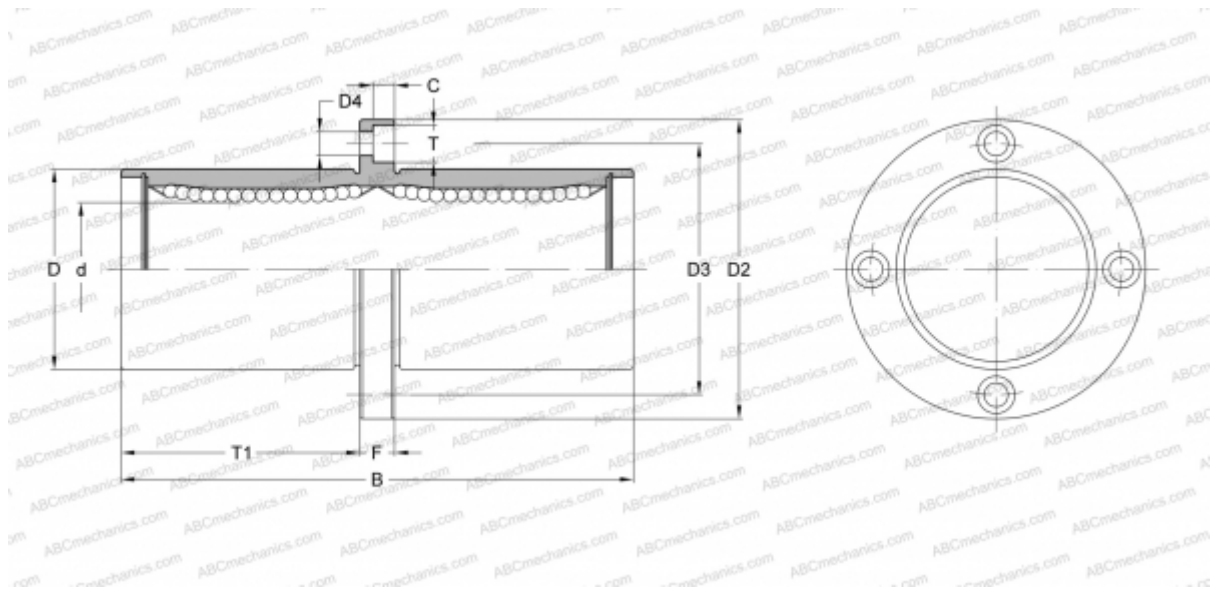


## LMFM25 UU A SAMICK

Linear bushing

TYPE: Shaft guidance systems, Linear bushing, Middle flange location, Circular type, Type LMFM, Asian standard, Steel cage (SAMICK)



### Technical specification

#### DIMENSIONS, MM

d	25,000
D	40,000
B	112,000
D2	62,000
D3	51,000
D4	5,500
T	9,500
T1	52,000
C	5,400
F	8

**WEIGHT, KG** 0,515

**MANUFACTURER** [SAMICK](http://www.samick.com)