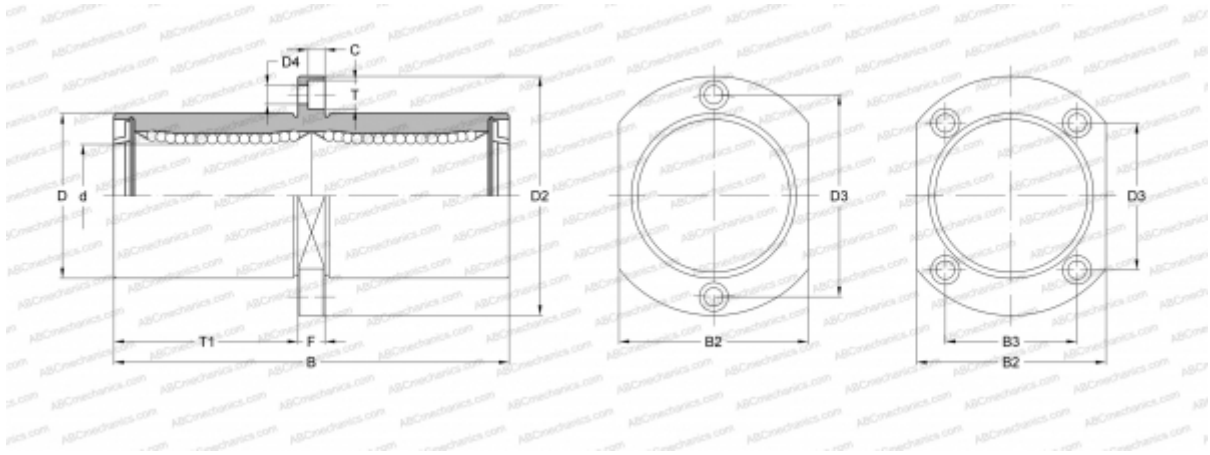


LMHM10 UU A SAMICK

Linear bushing

TYPE: Shaft guidance systems, Linear bushing, Middle flange location, Oval type, Type LMHM, Asian standard, Steel cage (SAMICK)



Technical specification

DIMENSIONS, MM

d	10,000
D	19,000
B	55,000
D2	40,000
D3	29,000
D4	4,500
B2	25,000
T	8,000
T1	24,500
C	4,400
F	6

WEIGHT, KG 0,105

MANUFACTURER [SAMICK](#)