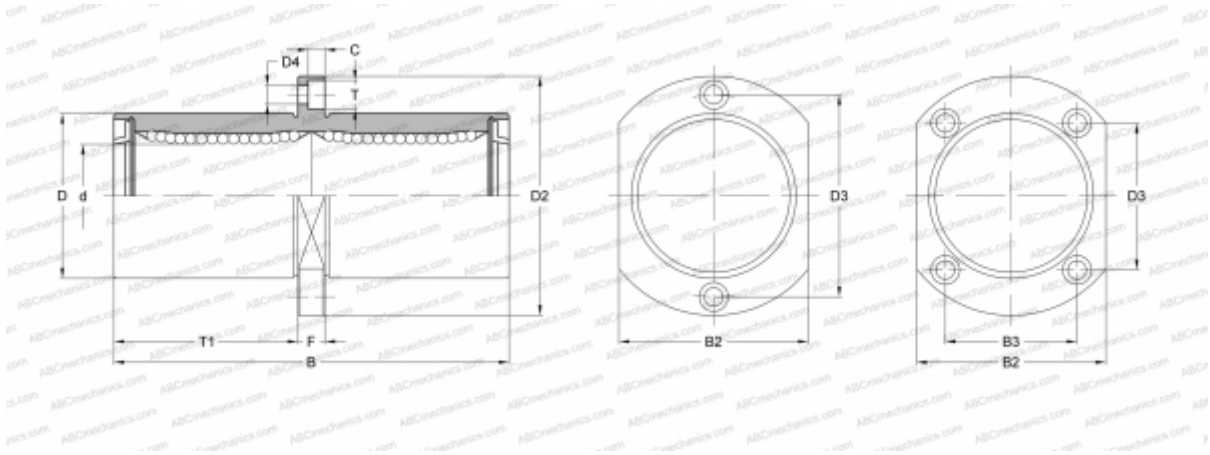


LMHM12 UU A SAMICK

Linear bushing

TYPE: Shaft guidance systems, Linear bushing, Middle flange location, Oval type, Type LMHM, Asian standard, Steel cage (SAMICK)



Technical specification

DIMENSIONS, MM

| | |
|----|--------|
| d | 12,000 |
| D | 21,000 |
| B | 57,000 |
| D2 | 42,000 |
| D3 | 32,000 |
| D4 | 4,500 |
| B2 | 27,000 |
| T | 8,000 |
| T1 | 25,500 |
| C | 4,400 |
| F | 6 |

WEIGHT, KG 0,100

MANUFACTURER [SAMICK](#)