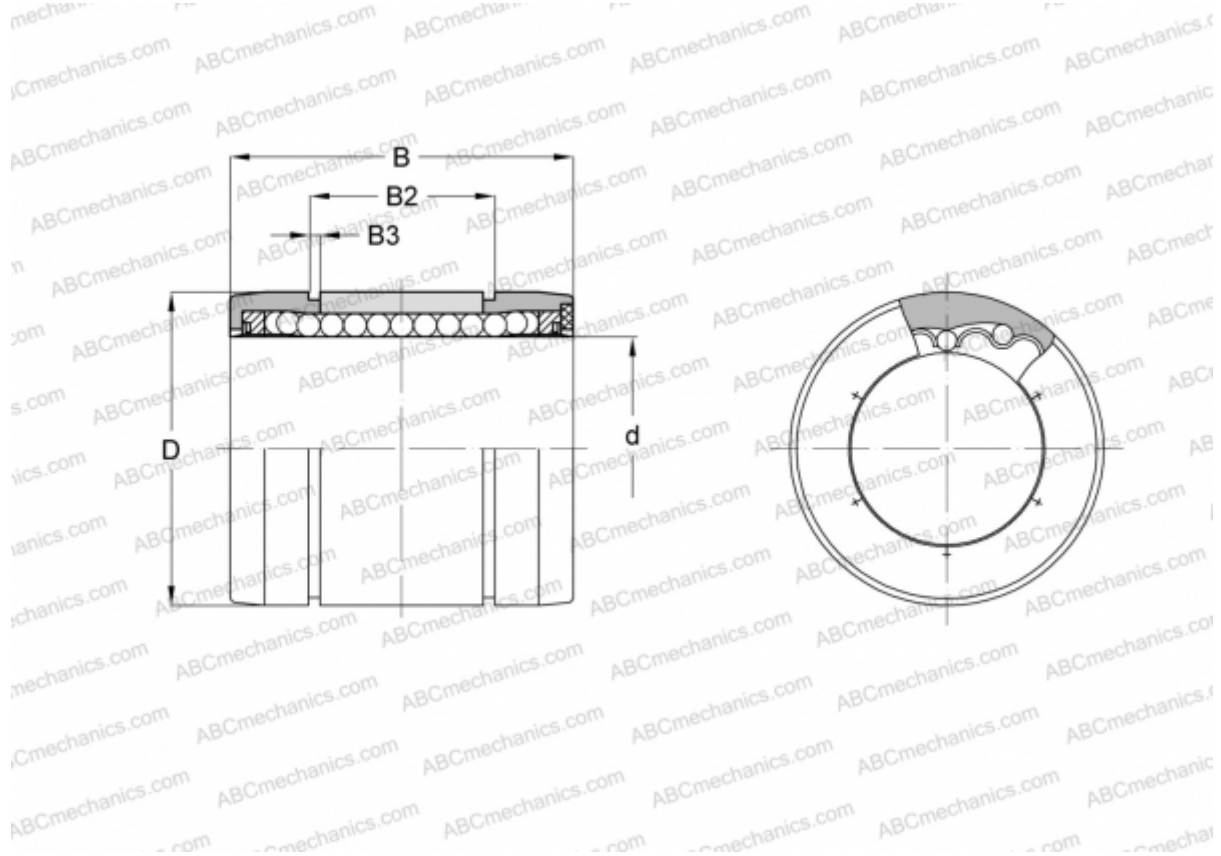


## TK10 UU NB

Linear bushing

TYPE: Shaft guidance systems, Linear bushing, Self aligning, Close type, Type TK (NB)



### Technical specification

#### DIMENSIONS, MM

d	10,000
D	19,000
B	29,000
B2	22,000
B3	1,300

**WEIGHT, KG** 0,014

**MANUFACTURER** [NB](#)