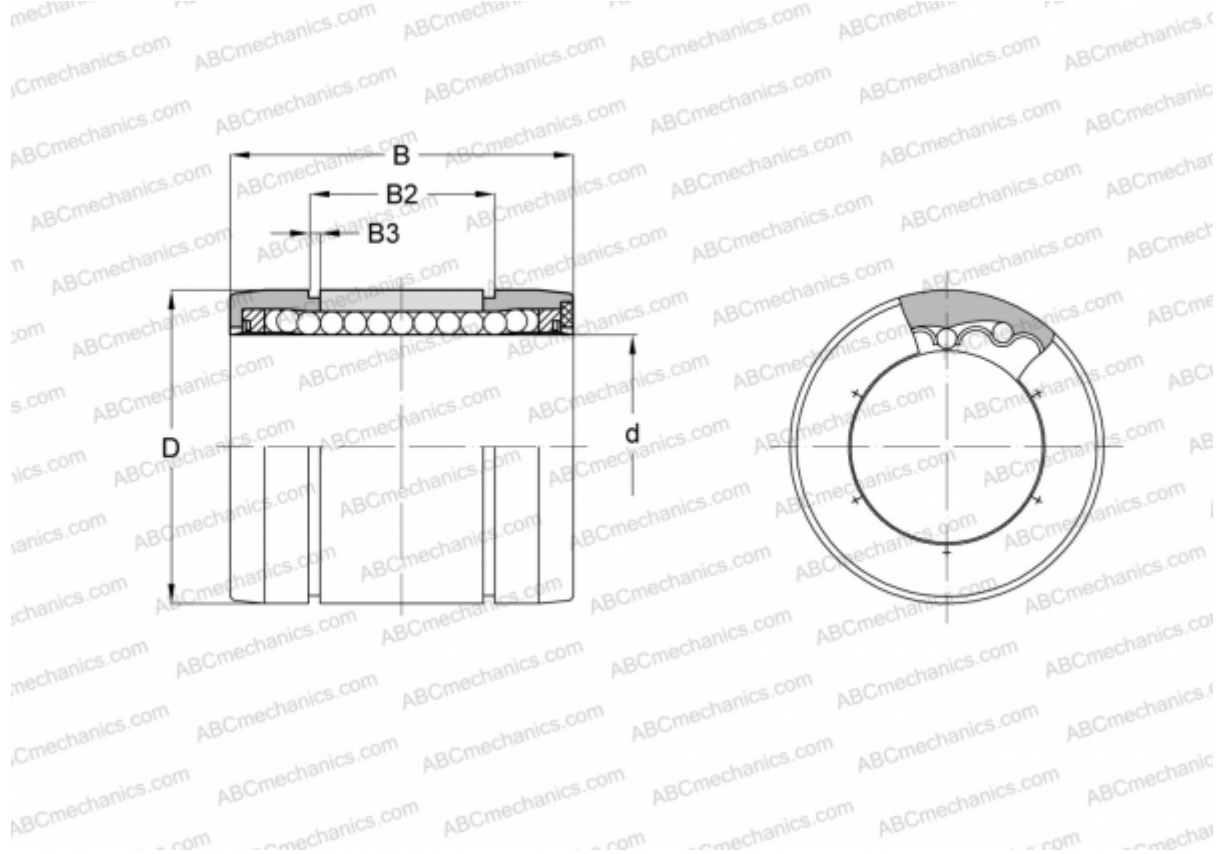


## TK20 UU NB

Linear bushing

TYPE: Shaft guidance systems, Linear bushing, Self aligning, Close type, Type TK (NB)



### Technical specification

#### DIMENSIONS, MM

|    |        |
|----|--------|
| d  | 20,000 |
| D  | 32,000 |
| B  | 45,000 |
| B2 | 31,500 |
| B3 | 1,600  |

**WEIGHT, KG** 0,058

**MANUFACTURER** [NB](#)