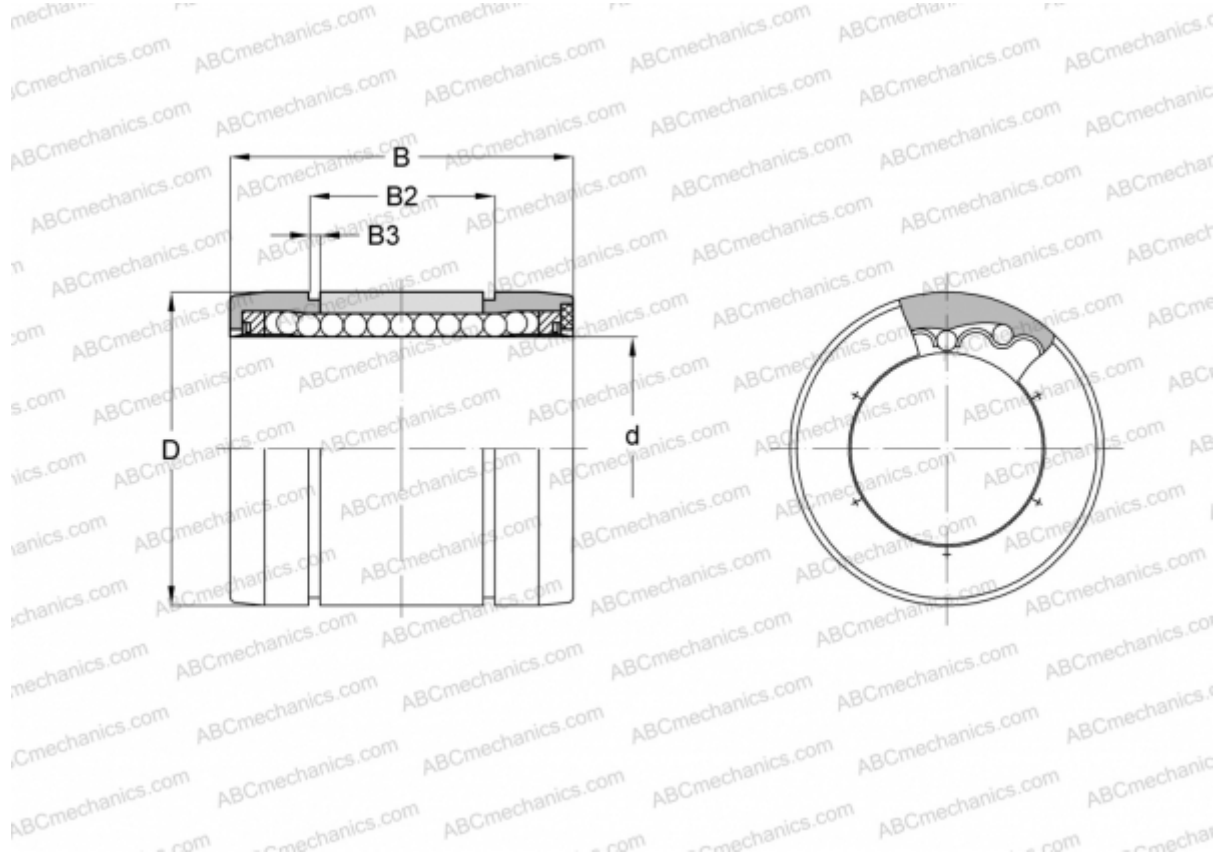


TW 12 UU NB

Linear bushing

TYPE: Shaft guidance systems, Linear bushing, Self aligning, Close type, Type TW, inch size (NB)



Technical specification

DIMENSIONS, MM

d	19,050
D	31,750
B	41,275
B2	32,309
B3	1,420

WEIGHT, KG 0,056

MANUFACTURER [NB](#)