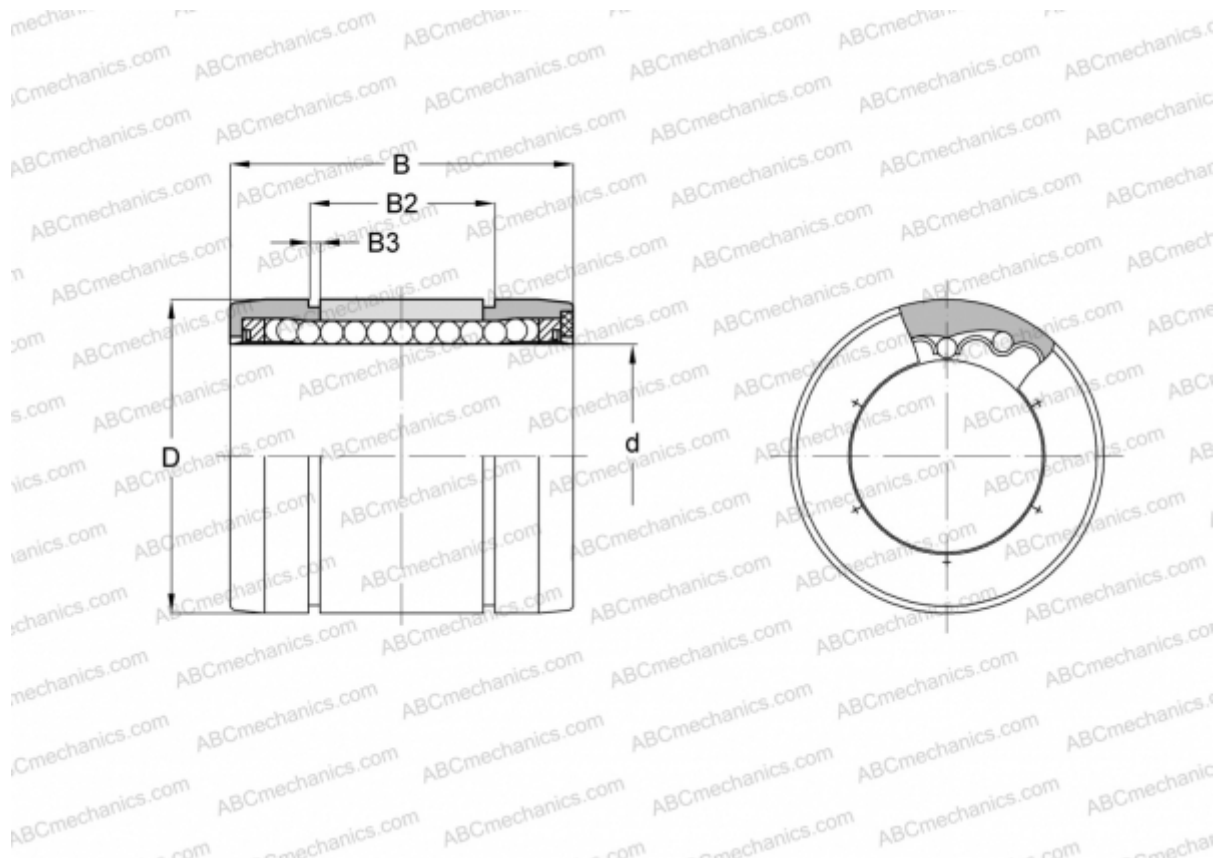


TK10 UU SK NB

Linear bushing

TYPE: Shaft guidance systems, Linear bushing, Self aligning, Close type, Type TK, corrosion resistance (NB)



Technical specification

DIMENSIONS, MM

d	10,000
D	19,000
B	29,000
B2	22,000
B3	1,300

WEIGHT, KG 0,014

MANUFACTURER [NB](#)