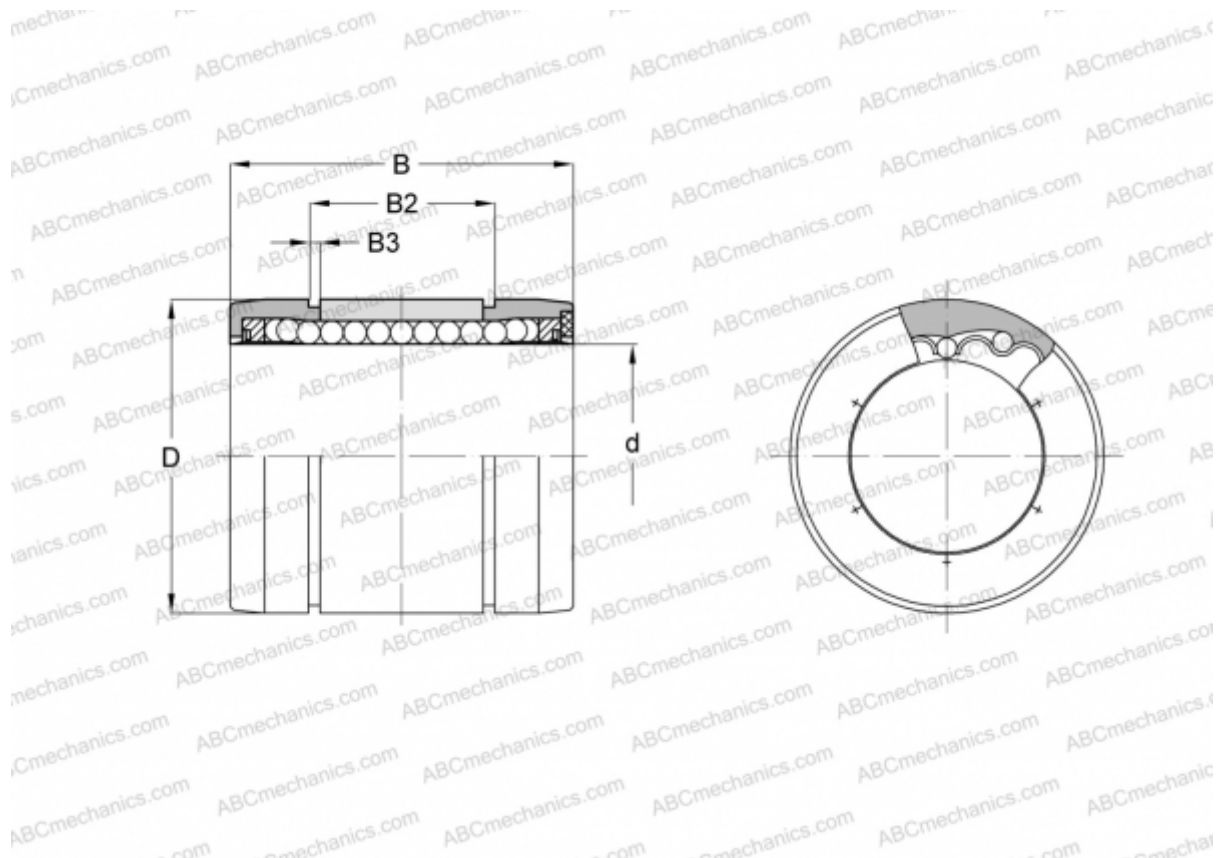


TK12 UU SK NB

Linear bushing

TYPE: Shaft guidance systems, Linear bushing, Self aligning, Close type, Type TK, corrosion resistance (NB)



Technical specification

DIMENSIONS, MM

| | |
|----|--------|
| d | 12,000 |
| D | 22,000 |
| B | 32,000 |
| B2 | 22,900 |
| B3 | 1,300 |

WEIGHT, KG 0,021

MANUFACTURER [NB](#)