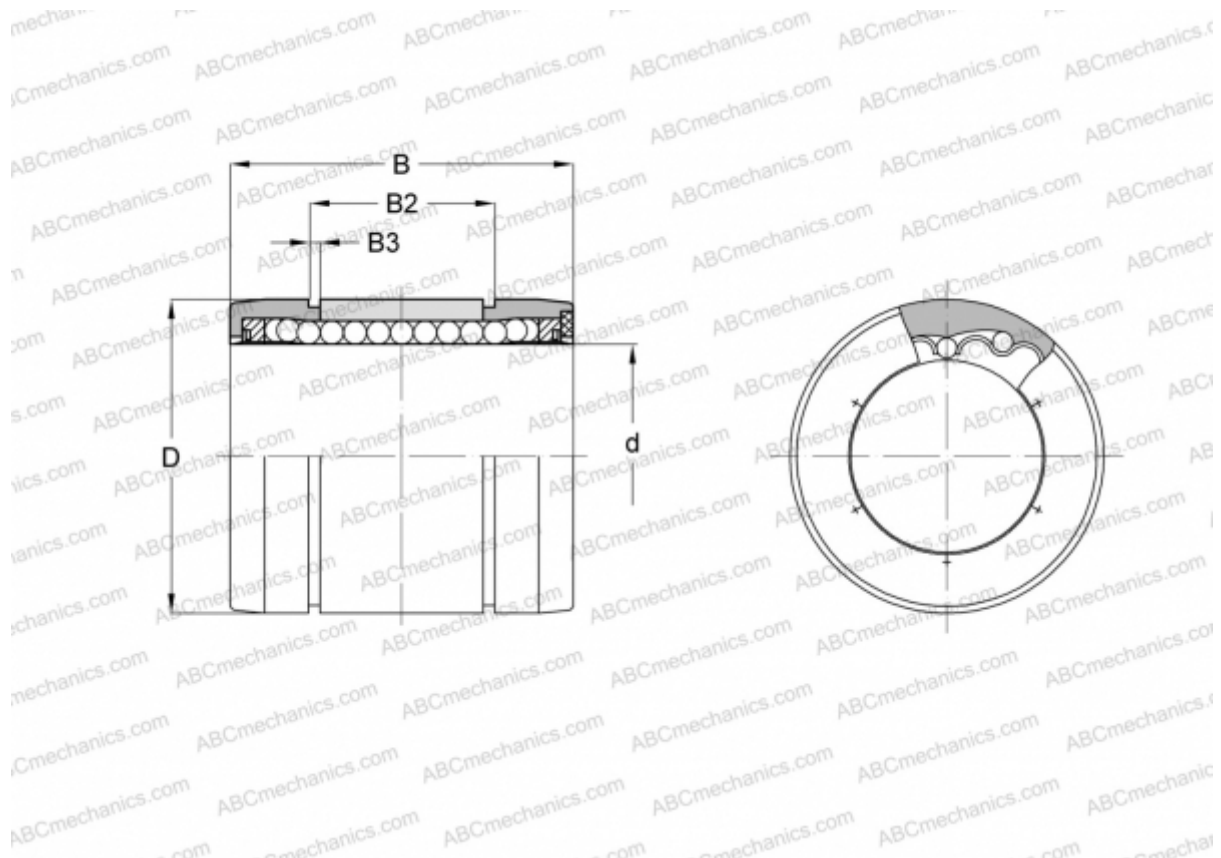


## TK40 UU SK NB

Linear bushing

TYPE: Shaft guidance systems, Linear bushing, Self aligning, Close type, Type TK, corrosion resistance (NB)



### Technical specification

#### DIMENSIONS, MM

d	40,000
D	62,000
B	80,000
B2	60,600
B3	2,150

**WEIGHT, KG** 0,333

**MANUFACTURER** [NB](#)