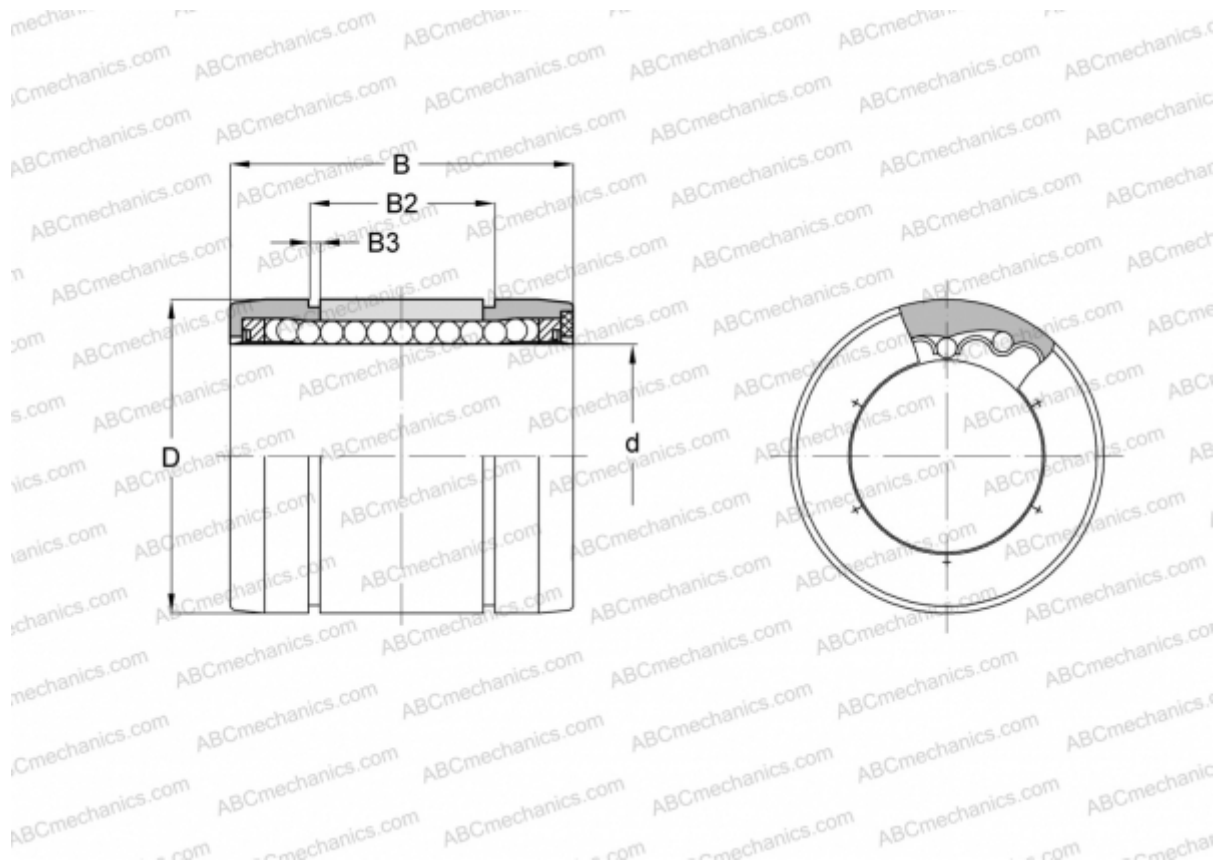


## TW 3 UU SK NB

Linear bushing

TYPE: Shaft guidance systems, Linear bushing, Self aligning, Close type, Type TW, corrosion resistance, inch size (NB)



### Technical specification

#### DIMENSIONS, MM

d	4,763
D	9,525
B	14,275

**WEIGHT, KG** 0,002

**MANUFACTURER** [NB](#)