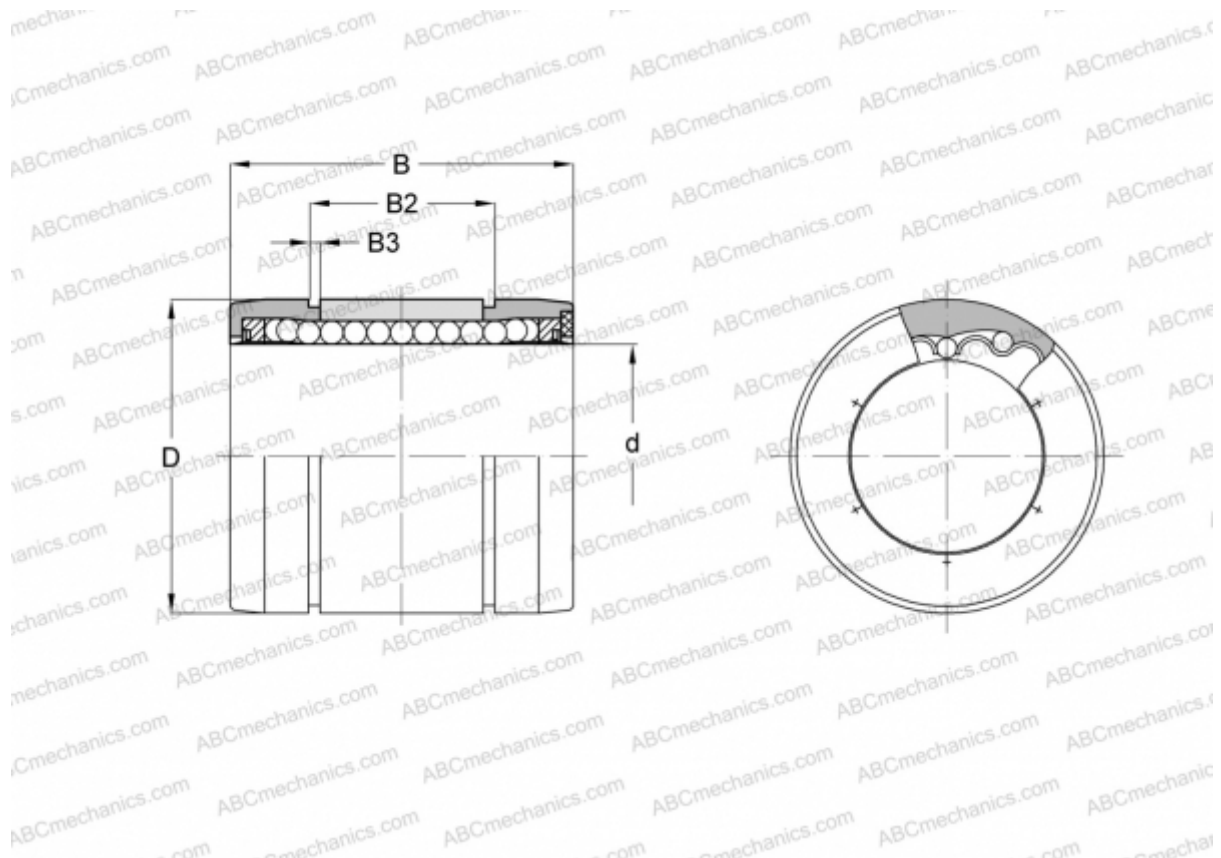


TW 8 UU SK NB

Linear bushing

TYPE: Shaft guidance systems, Linear bushing, Self aligning, Close type, Type TW, corrosion resistance, inch size (NB)



Technical specification

DIMENSIONS, MM

| | |
|----|--------|
| d | 12,700 |
| D | 22,225 |
| B | 31,750 |
| B2 | 26,213 |
| B3 | 1,166 |

WEIGHT, KG 0,020

MANUFACTURER [NB](#)