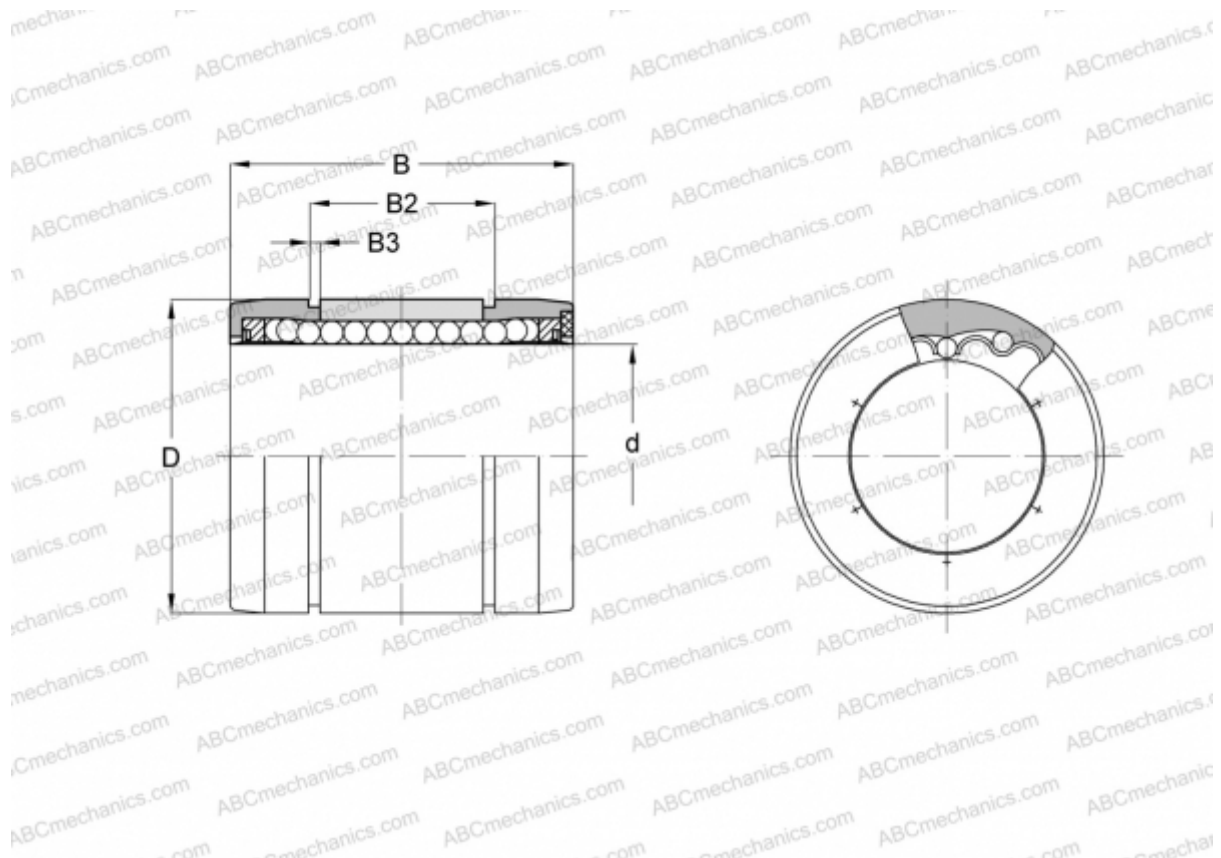


TW 32 UU SK NB

Linear bushing

TYPE: Shaft guidance systems, Linear bushing, Self aligning, Close type, Type TW, corrosion resistance, inch size (NB)



Technical specification

DIMENSIONS, MM

d	50,800
D	76,200
B	101,600
B2	81,432
B3	2,614

WEIGHT, KG 0,640

MANUFACTURER [NB](#)