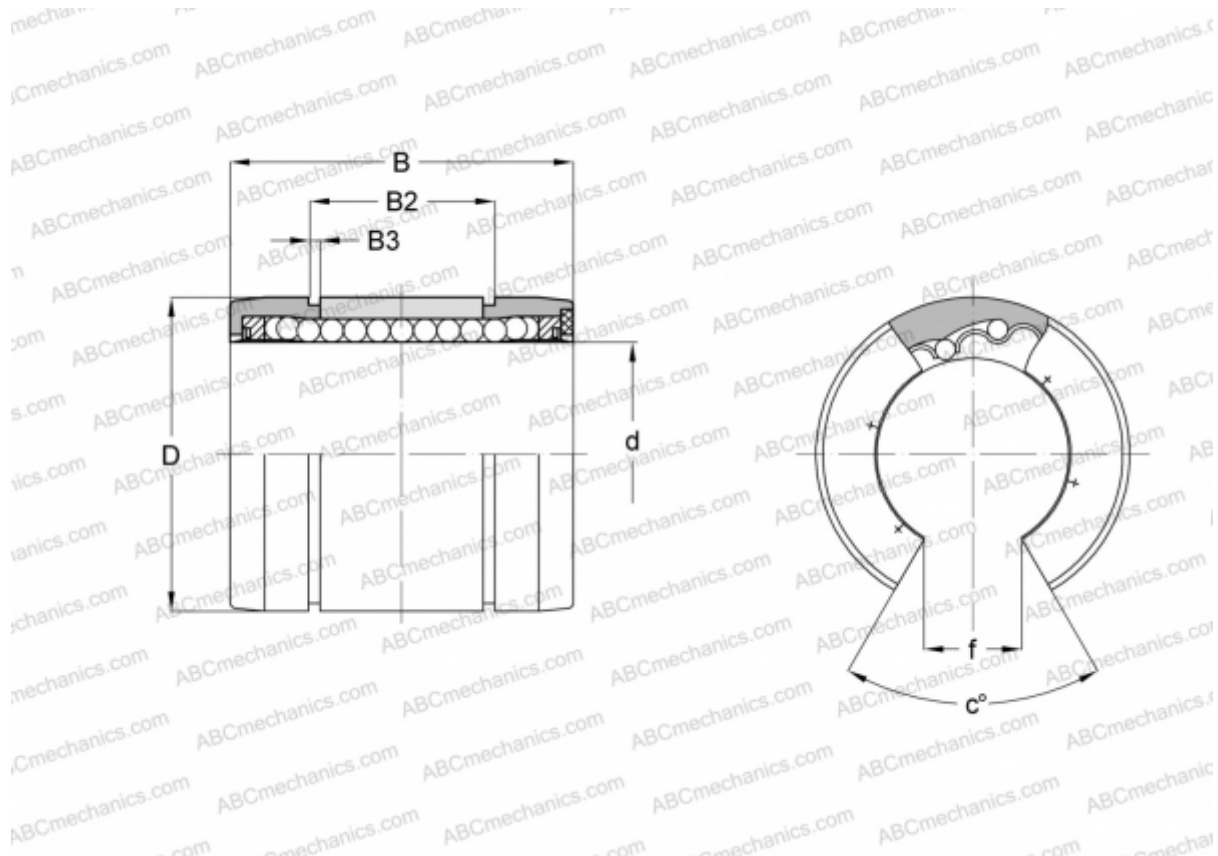


## TK12 UU OP NB

Linear bushing

TYPE: Shaft guidance systems, Linear bushing, Self aligning, Open type for support rail, Type TK..OP (NB)



### Technical specification

#### DIMENSIONS, MM

d	12,000
D	22,000
B	32,000
B2	22,900
B3	1,300
f	6,500
c	66

**WEIGHT, KG** 0,017

**MANUFACTURER** [NB](#)