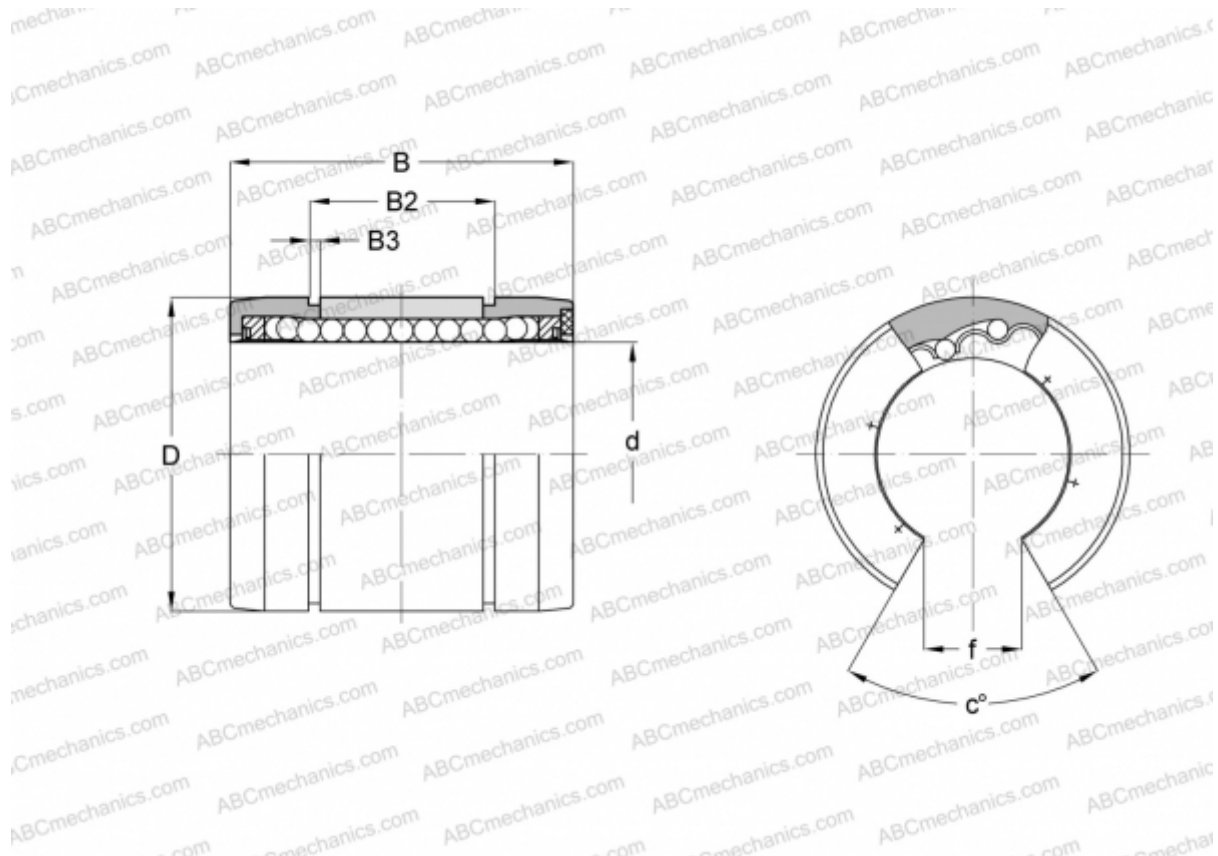


TW 16 UU OP NB

Linear bushing

TYPE: Shaft guidance systems, Linear bushing, Self aligning, Open type for support rail, Type TW..OP, inch size (NB)



Technical specification

DIMENSIONS, MM

| | |
|----|--------|
| d | 25,400 |
| D | 39,688 |
| B | 57,150 |
| B2 | 47,904 |
| B3 | 1,725 |
| f | 14,300 |
| c | 30 |

WEIGHT, KG 0,100

MANUFACTURER [NB](#)