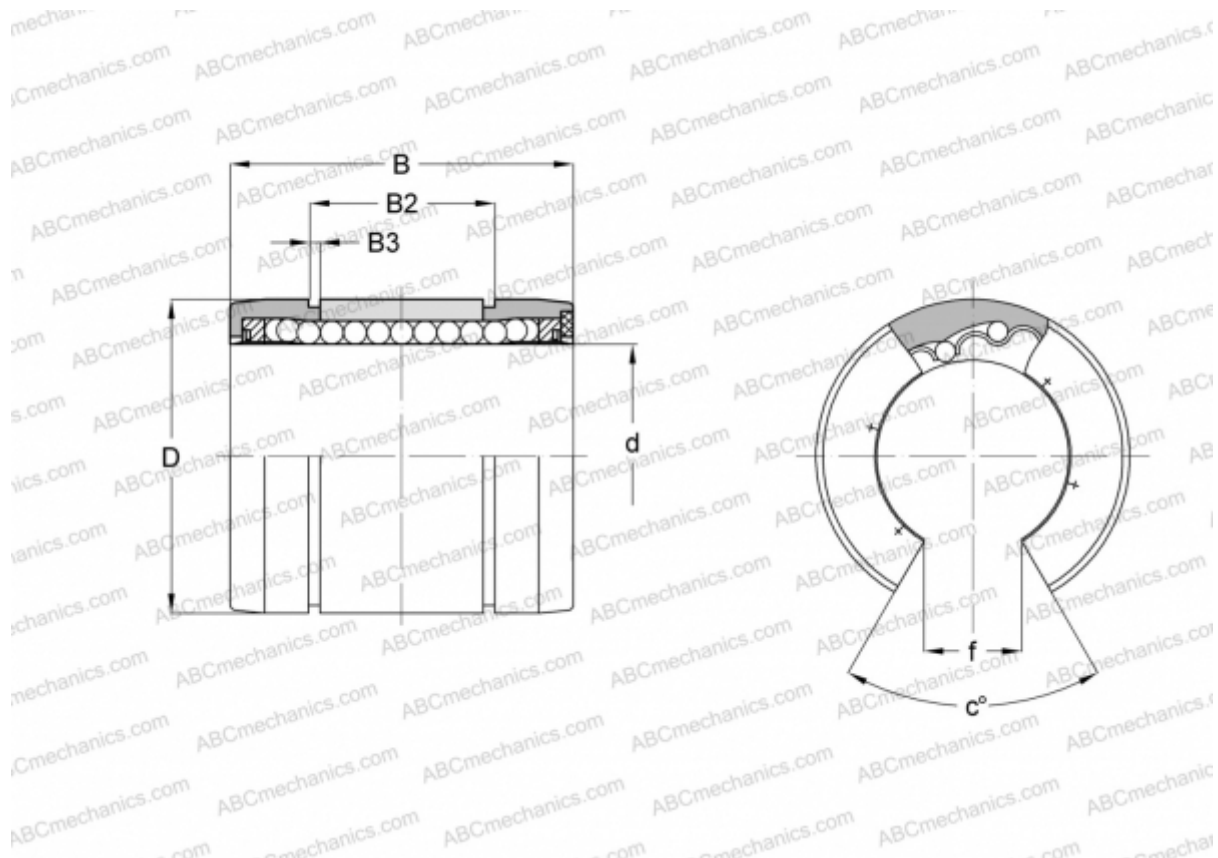


TW 32 UU OP NB

Linear bushing

TYPE: Shaft guidance systems, Linear bushing, Self aligning, Open type for support rail, Type TW..OP, inch size (NB)



Technical specification

DIMENSIONS, MM

d	50,800
D	76,200
B	101,600
B2	81,432
B3	2,614
f	25,400
c	30

WEIGHT, KG 0,530

MANUFACTURER [NB](#)