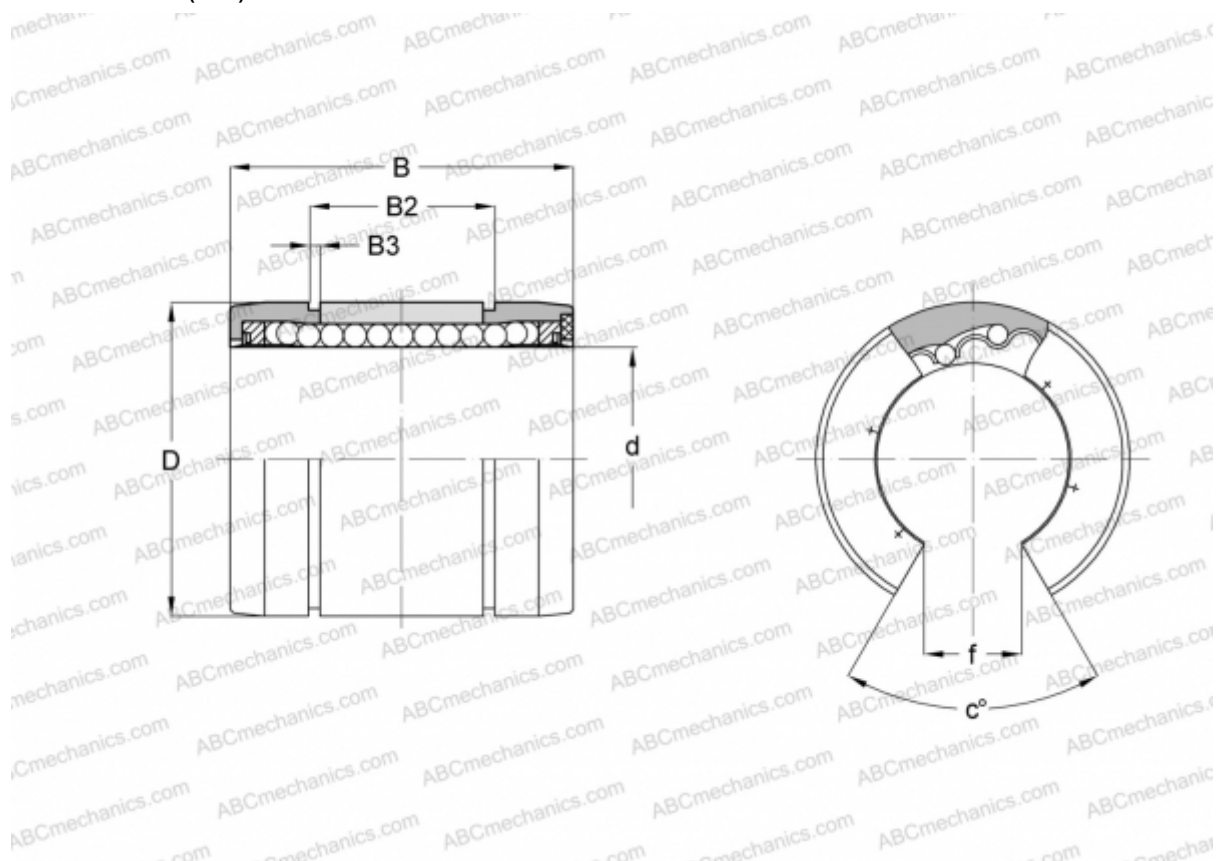


TK25 UU OP SK NB

Linear bushing

TYPE: Shaft guidance systems, Linear bushing, Self aligning, Open type for support rail, Type TK..OP, corrosion resistance (NB)



Technical specification

DIMENSIONS, MM

d	25,000
D	40,000
B	58,000
B2	44,100
B3	1,850
f	11,500
c	57

WEIGHT, KG 0,103

MANUFACTURER [NB](#)