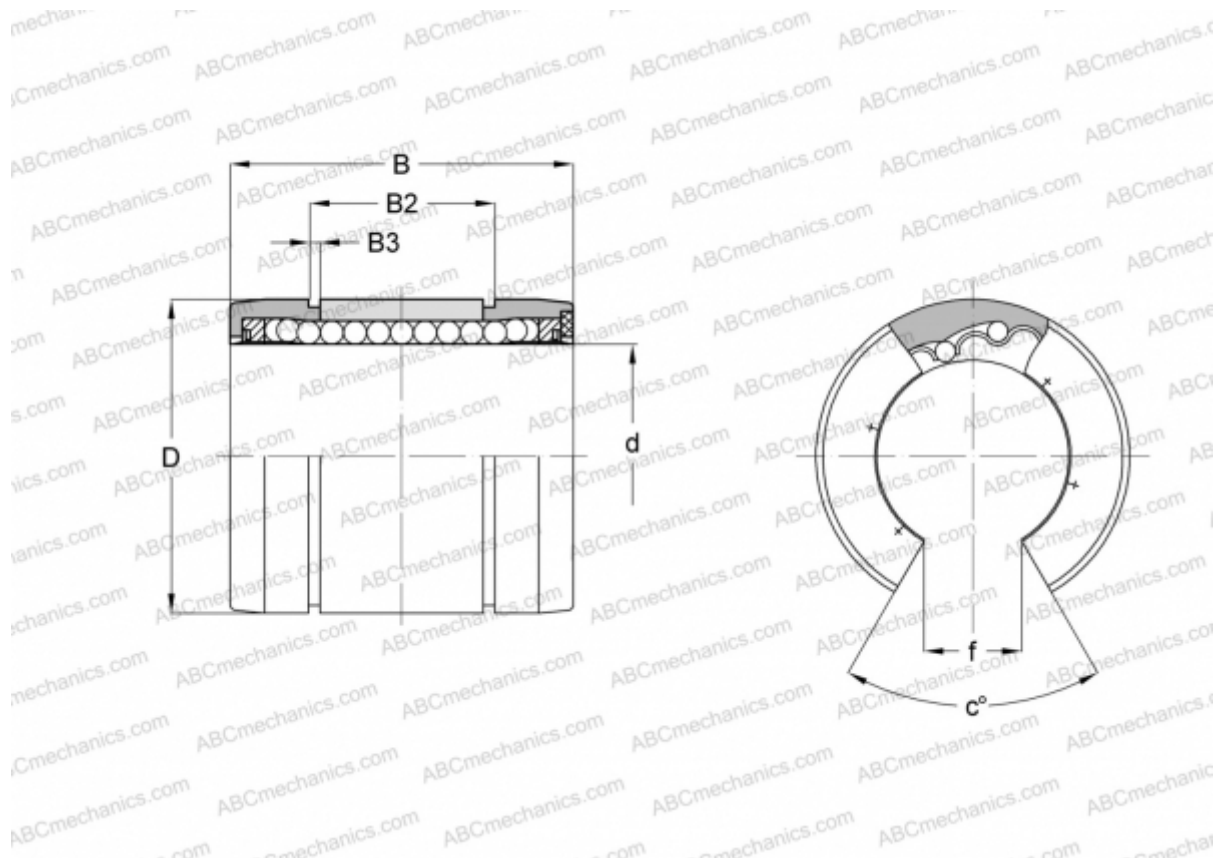


TW 12 UU OP SK NB

Linear bushing

TYPE: Shaft guidance systems, Linear bushing, Self aligning, Open type for support rail, Type TW..OP, corrosion resistance, inch size (NB)



Technical specification

DIMENSIONS, MM

d	19,050
D	31,750
B	41,275
B2	32,309
B3	1,420
f	11,125
c	30

WEIGHT, KG 0,046

MANUFACTURER [NB](#)