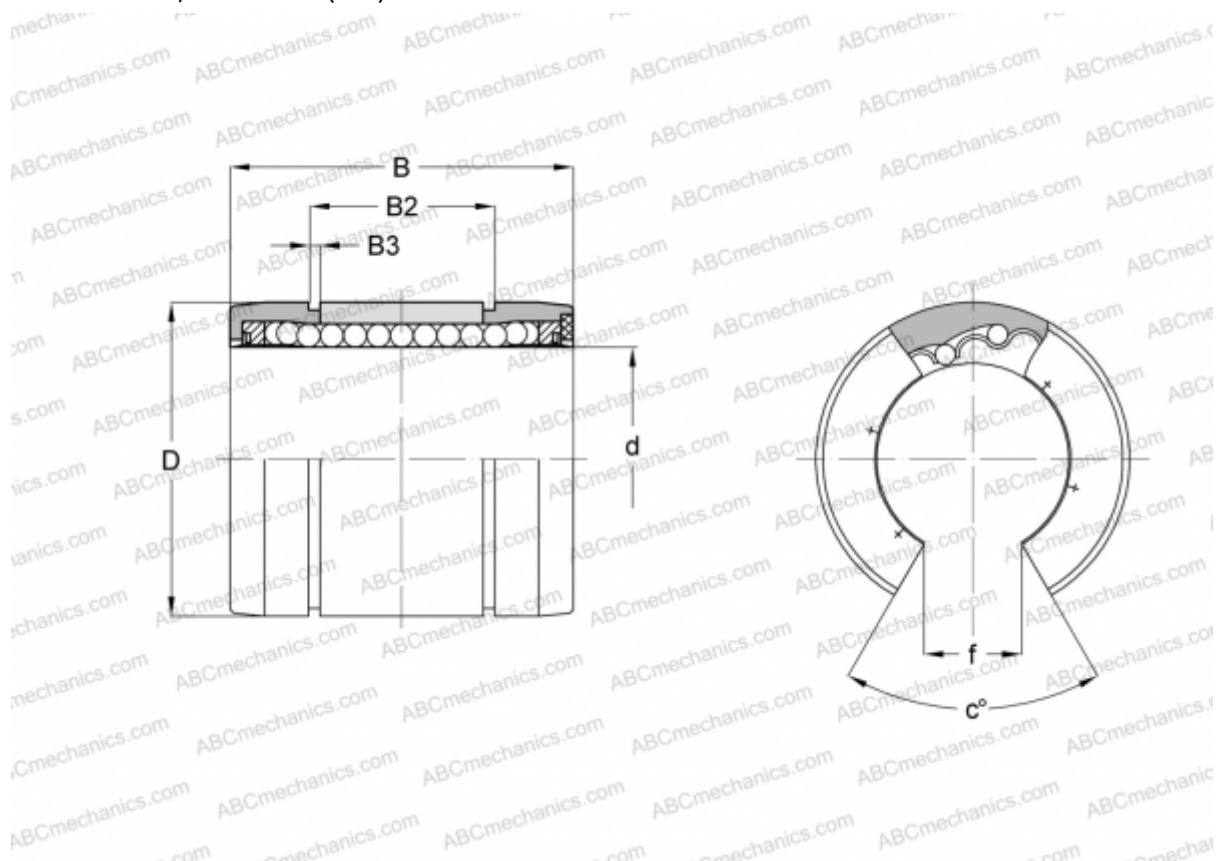


## TW 32 UU OP SK NB

Linear bushing

TYPE: Shaft guidance systems, Linear bushing, Self aligning, Open type for support rail, Type TW..OP, corrosion resistance, inch size (NB)



### Technical specification

#### DIMENSIONS, MM

d	50,800
D	76,200
B	101,600
B2	81,432
B3	2,614
f	25,400
c	30

**WEIGHT, KG** 0,530

**MANUFACTURER** [NB](#)