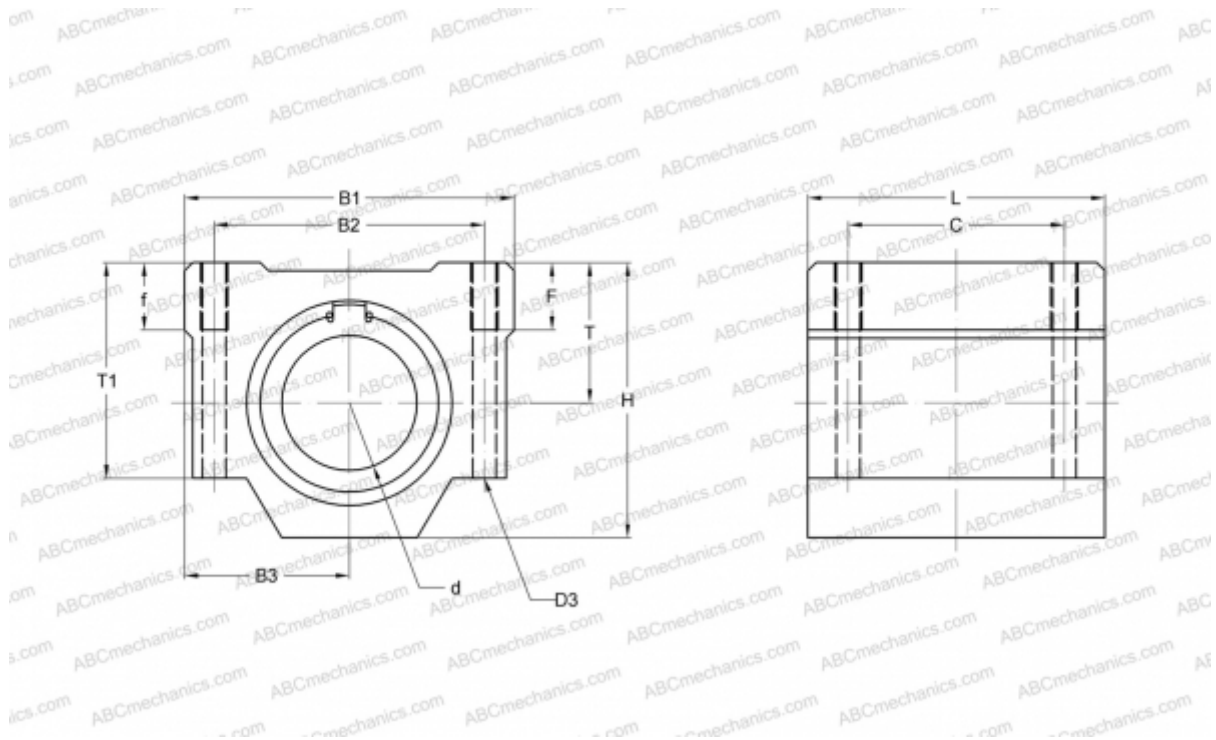


SMA 5GUU NB

Linear bushing, case unit

TYPE: Shaft guidance systems, Linear bushing, case unit, Close type, Block type, Type SMA, Standart (NB)



Technical specification

DIMENSIONS, MM

B1	22,000
H	14,000
L	18,000
d	5,000
B2	16,000
B3	11,000
T	7,000
T1	11,000
C	12,000

WEIGHT, KG 0,014

MANUFACTURER [NB](#)