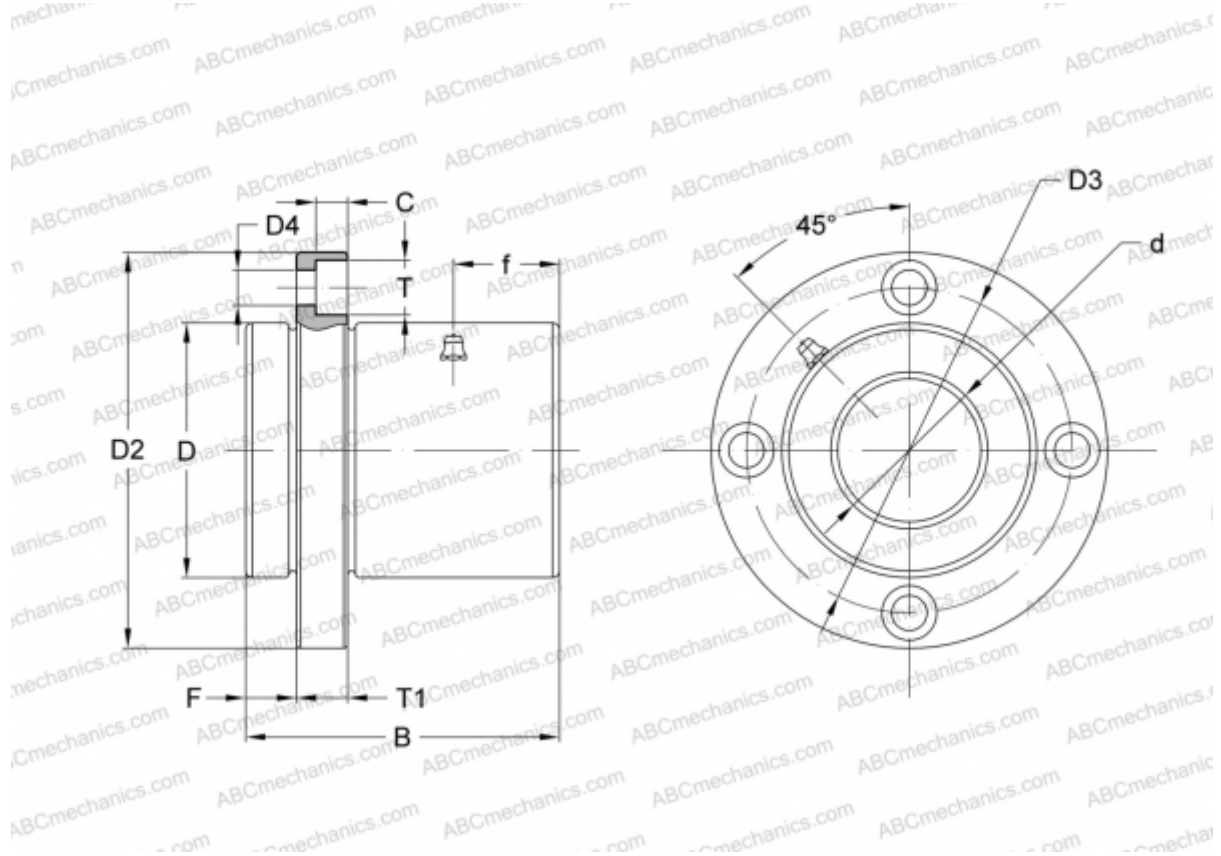


## TQF 20GUU-E NB

Linear bushing

TYPE: Shaft guidance systems, Linear bushing, Pilot flange location, Circular type, Type TQF..E (NB)



### Technical specification

#### DIMENSIONS, MM

d	20,000
D	40,000
B	42,000
D2	62,000
D3	51,000
D4	5,500
T	9,000
T1	8,000
f	14,000
C	5,100
F	8

MANUFACTURER

[NB](#)