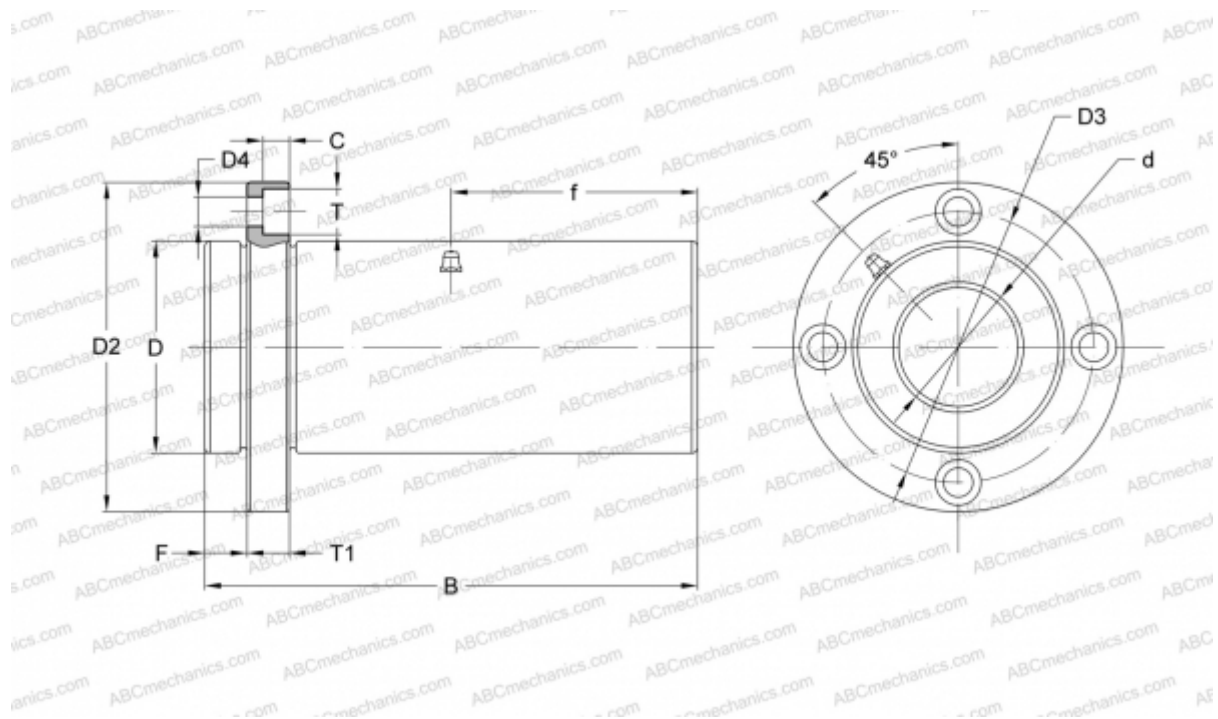


## TQF 16GUUW-E NB

Linear bushing

TYPE: Shaft guidance systems, Linear bushing, Pilot flange location, Circular type, double length, Type TQF..W..E (NB)



### Technical specification

#### DIMENSIONS, MM

d	16,000
D	32,000
B	70,000
D2	54,000
D3	43,000
D4	5,500
T	9,000
T1	8,000
f	35,000
C	5,100
F	8

#### MANUFACTURER

[NB](#)