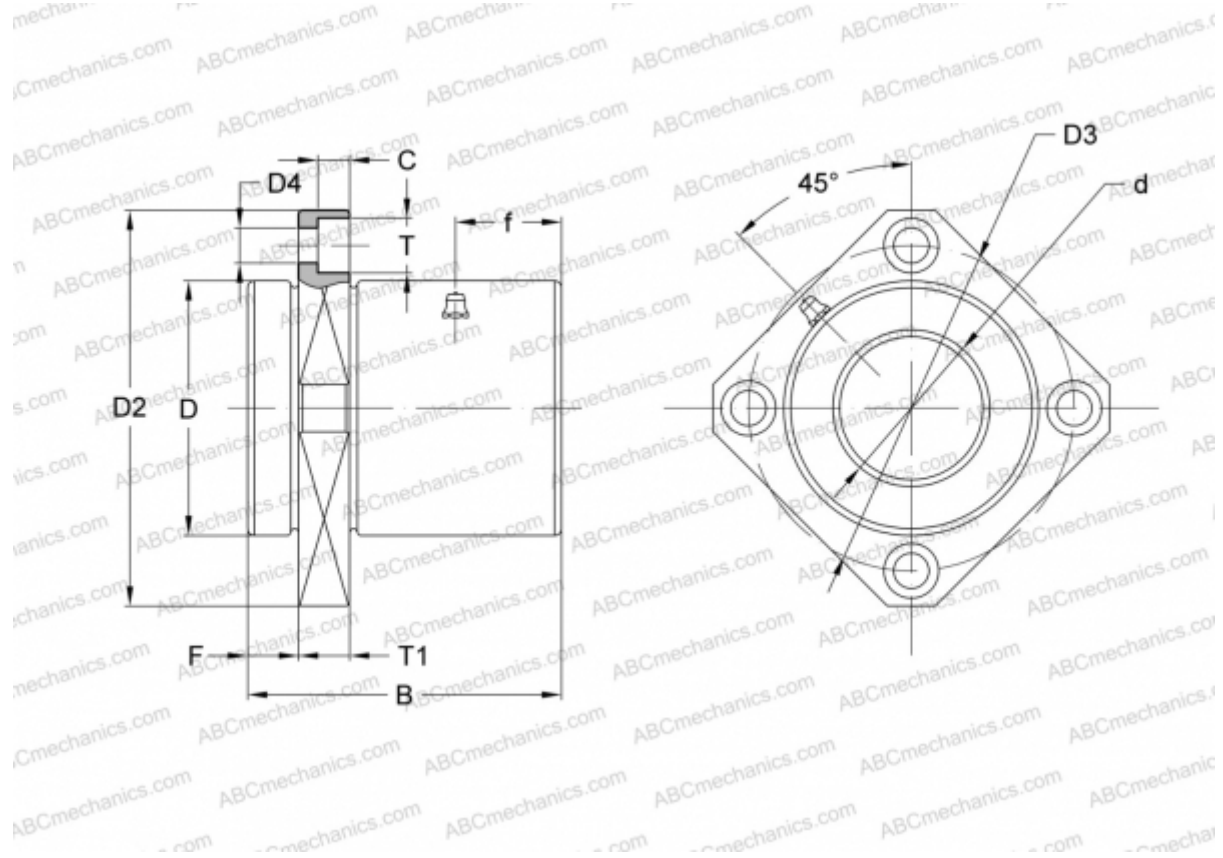


## TQK 25GUU-E NB

Linear bushing

TYPE: Shaft guidance systems, Linear bushing, Pilot flange location, Square type, Type TQK..E (NB)



### Technical specification

#### DIMENSIONS, MM

d	25,000
D	45,000
B	59,000
D2	74,000
D3	60,000
D4	6,600
B2	58,000
T	11,000
T1	10,000
f	20,000
C	6,100
F	10

#### MANUFACTURER

[NB](#)