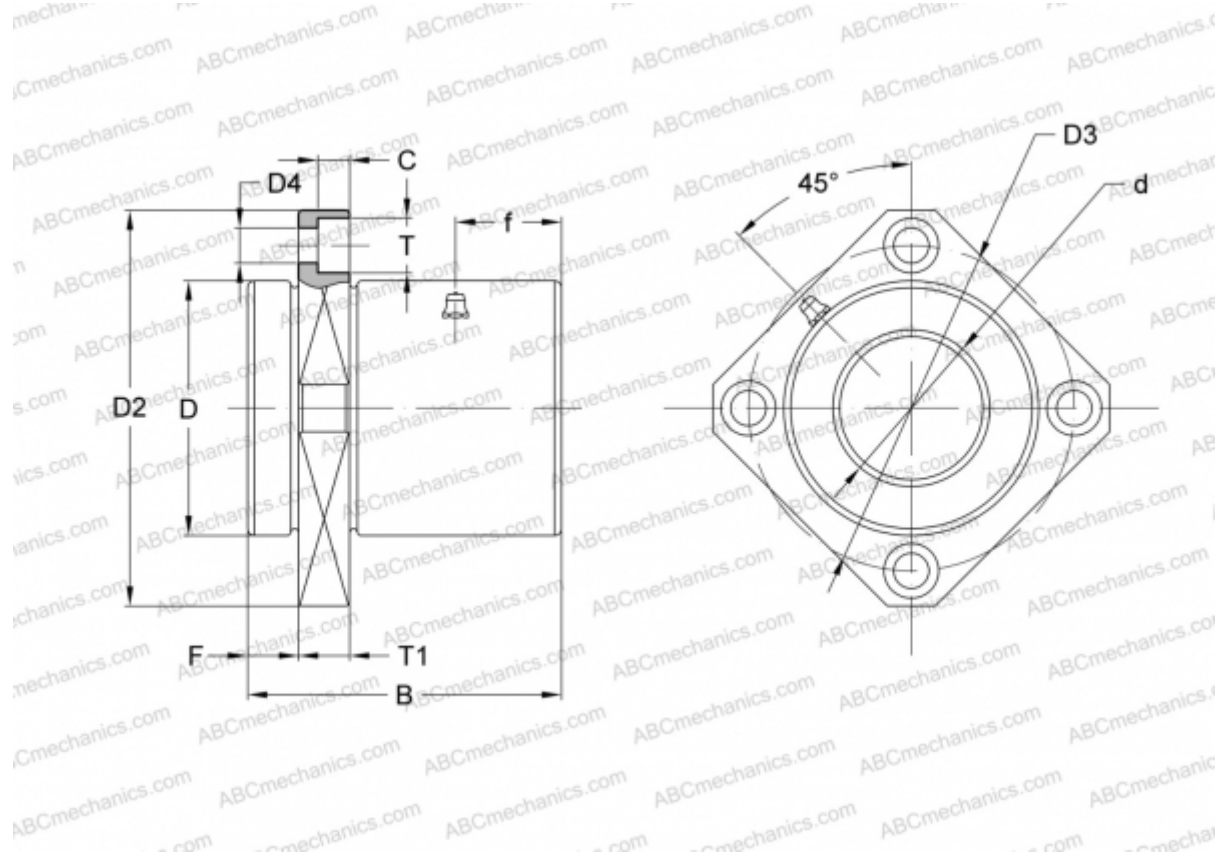


TQK 40GUU-E NB

Linear bushing

TYPE: Shaft guidance systems, Linear bushing, Pilot flange location, Square type, Type TQK..E (NB)



Technical specification

DIMENSIONS, MM

d	40,000
D	65,000
B	80,000
D2	101,000
D3	83,000
D4	9,000
B2	80,000
T	14,000
T1	13,000
f	27,000
C	8,100
F	13

MANUFACTURER

[NB](#)