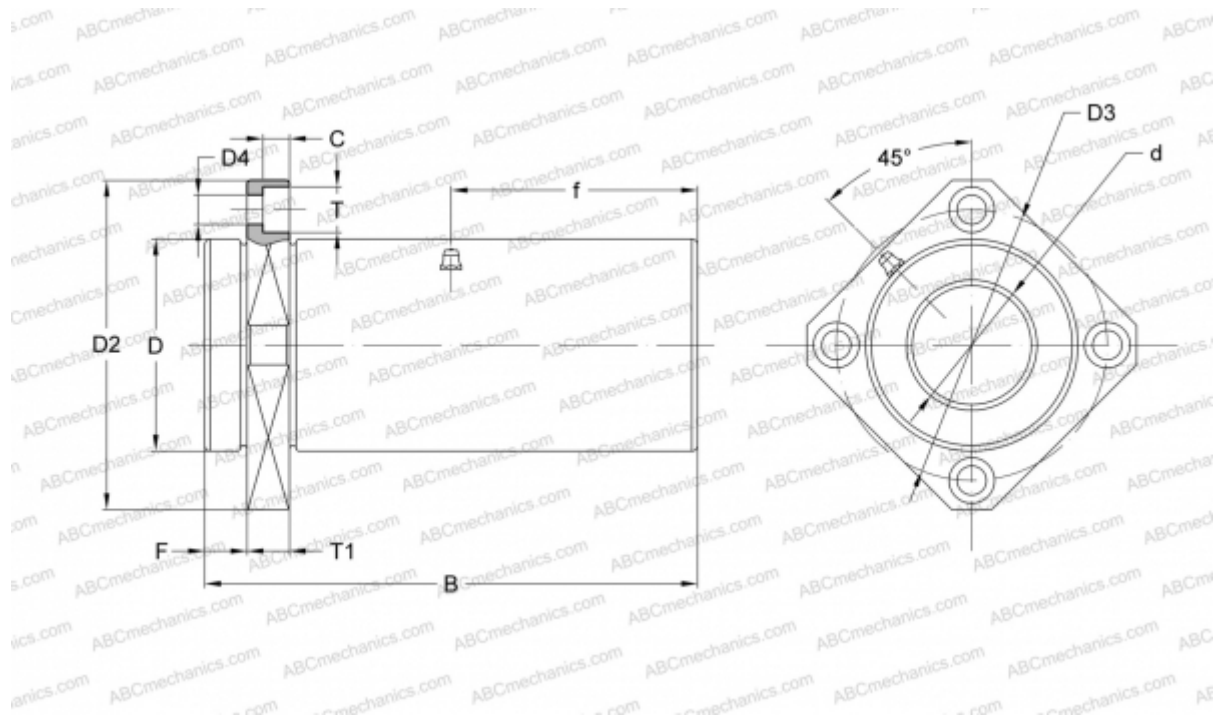


TQK 20GUUW-E NB

Linear bushing

TYPE: Shaft guidance systems, Linear bushing, Pilot flange location, Square type, double length, Type TQK..W..E (NB)



Technical specification

DIMENSIONS, MM

| | |
|----|--------|
| d | 20,000 |
| D | 40,000 |
| B | 80,000 |
| D2 | 62,000 |
| D3 | 51,000 |
| D4 | 5,500 |
| B2 | 50,000 |
| T | 9,000 |
| T1 | 8,000 |
| f | 40,000 |
| C | 5,100 |
| F | 8 |

MANUFACTURER

[NB](#)