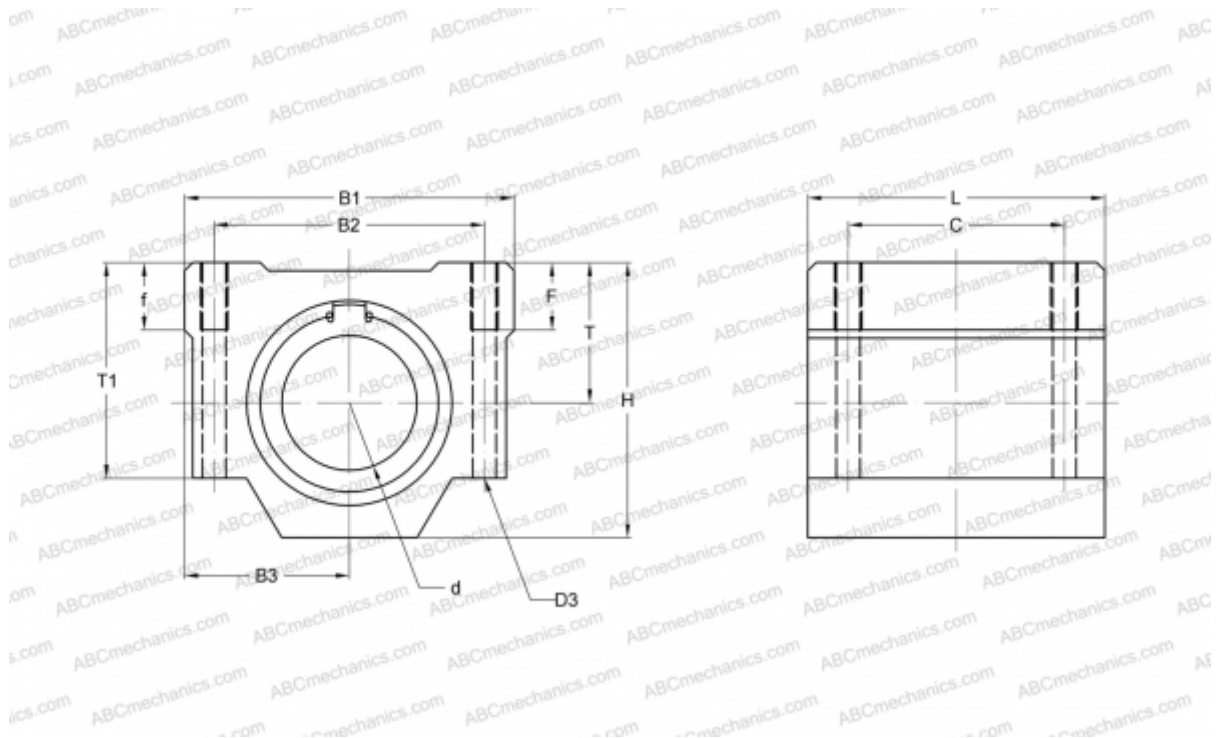


## SMSA35GUU NB

Linear bushing, case unit

TYPE: Shaft guidance systems, Linear bushing, case unit, Close type, Block type, Type SMA, Corrosion resistance (NB)



### Technical specification

#### DIMENSIONS, MM

B1	90,000
H	68,000
L	80,000
d	35,000
D3	7,000
B2	70,000
B3	45,000
T	34,000
T1	54,000
f	18,000
C	60,000
F	18

**WEIGHT, KG** 1,100

**MANUFACTURER** [NB](#)