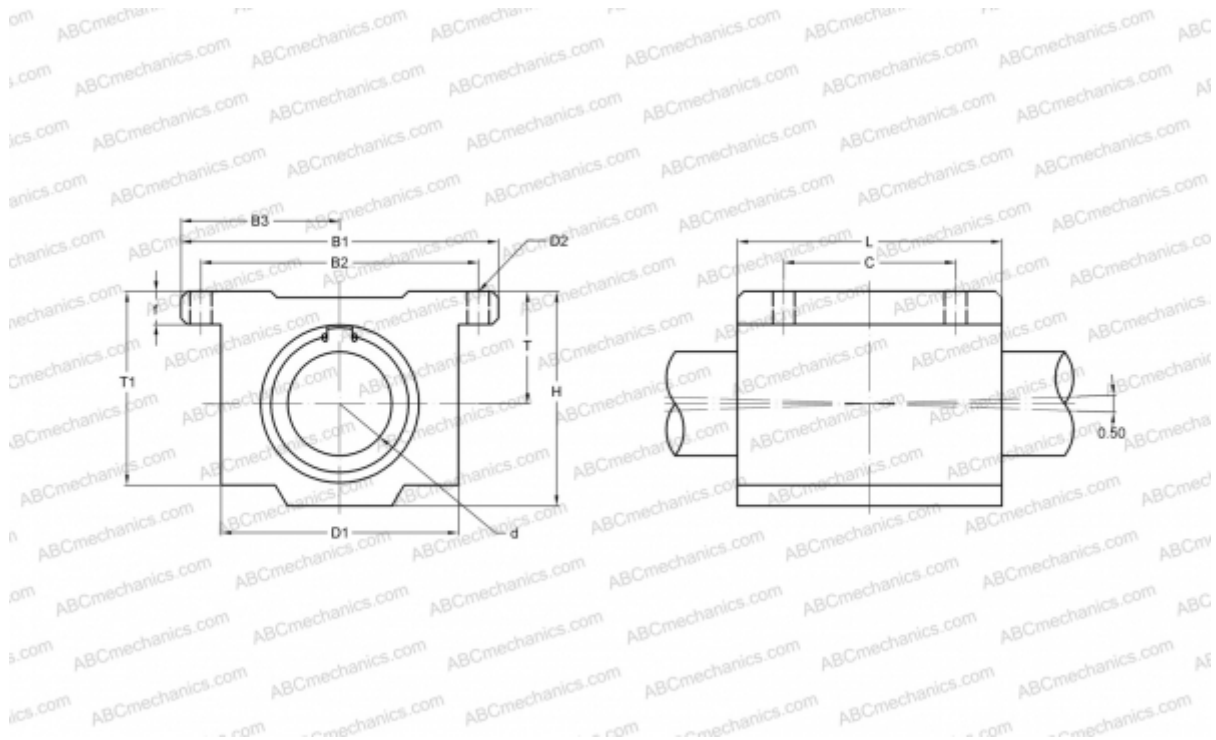


SWA 8GUU NB

Linear bushing, case unit

TYPE: Shaft guidance systems, Linear bushing, case unit, Close type, Block type, Type SWA, inch size, Standart (NB)



Technical specification

DIMENSIONS, MM

| | |
|----|--------|
| B1 | 50,800 |
| H | 31,750 |
| L | 42,860 |
| d | 12,700 |
| D1 | 34,930 |
| D2 | 3,960 |
| B2 | 42,880 |
| B3 | 25,400 |
| T | 17,450 |
| T1 | 28,580 |
| f | 6,350 |
| C | 25,400 |

WEIGHT, KG 0,130

MANUFACTURER [NB](#)