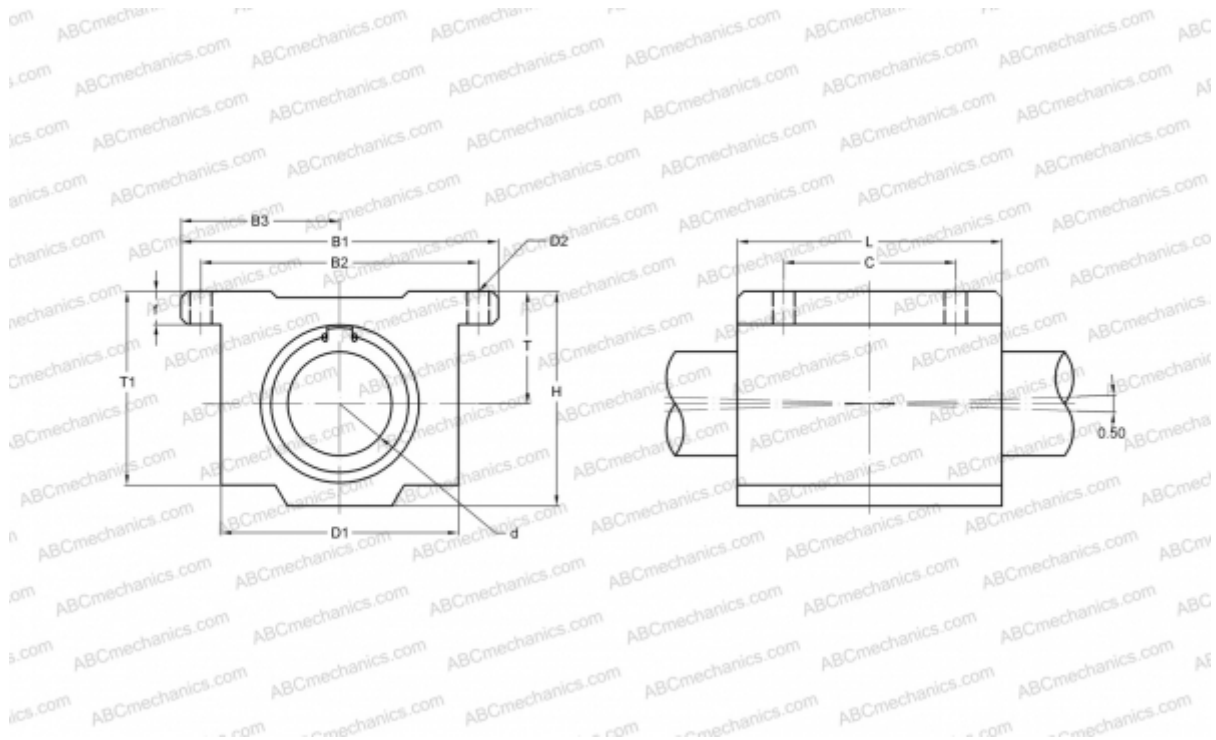


## SWA 24GUU NB

Linear bushing, case unit

TYPE: Shaft guidance systems, Linear bushing, case unit, Close type, Block type, Type SWA, inch size, Standart (NB)



### Technical specification

#### DIMENSIONS, MM

B1	120,650
H	82,550
L	101,600
d	38,100
D1	88,900
D2	7,140
B2	104,780
B3	60,325
T	44,450
T1	73,030
f	12,700
C	63,500

**WEIGHT, KG** 1,900

**MANUFACTURER** [NB](#)