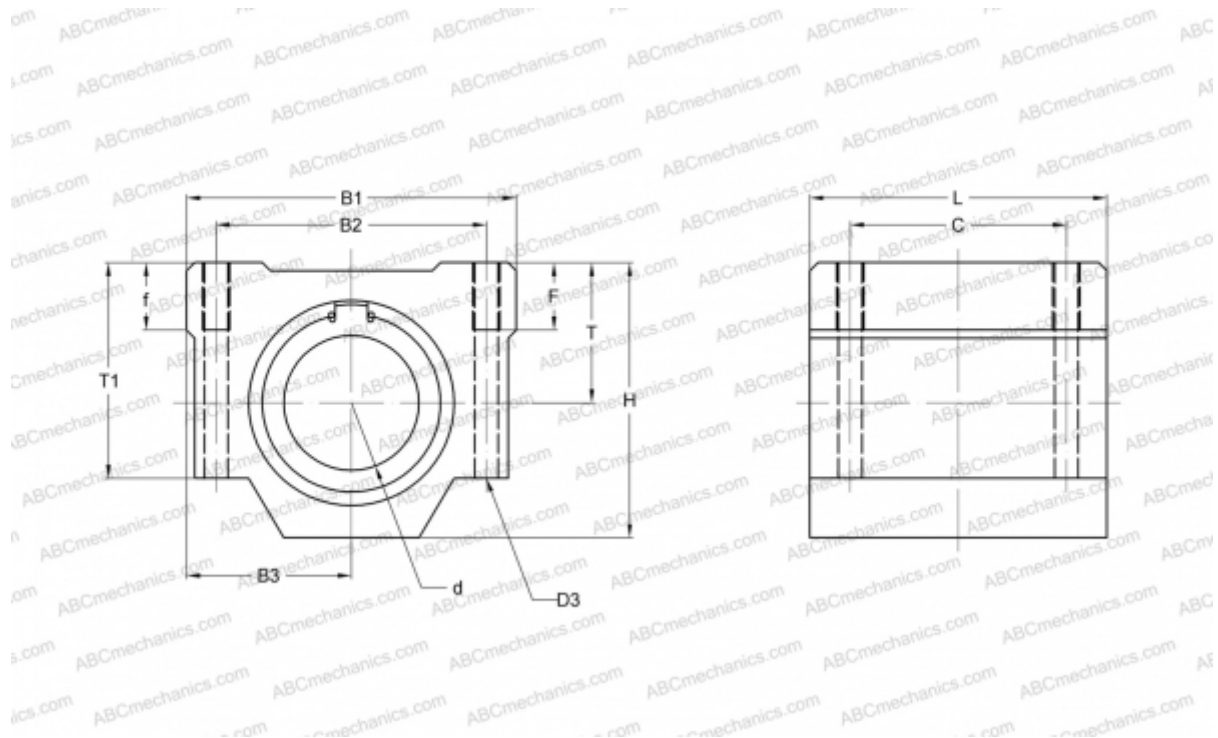


SMA25GWUU NB

Linear bushing, case unit

TYPE: Shaft guidance systems, Linear bushing, case unit, Close type, Double-wide block type, Type SMA ..W, Standart (NB)



Technical specification

DIMENSIONS, MM

B1	76,000
H	51,500
L	130,000
d	25,000
D3	7,000
B2	54,000
B3	38,000
T1	42,000
f	12,000
C	100,000

WEIGHT, KG 1,200

MANUFACTURER [NB](#)