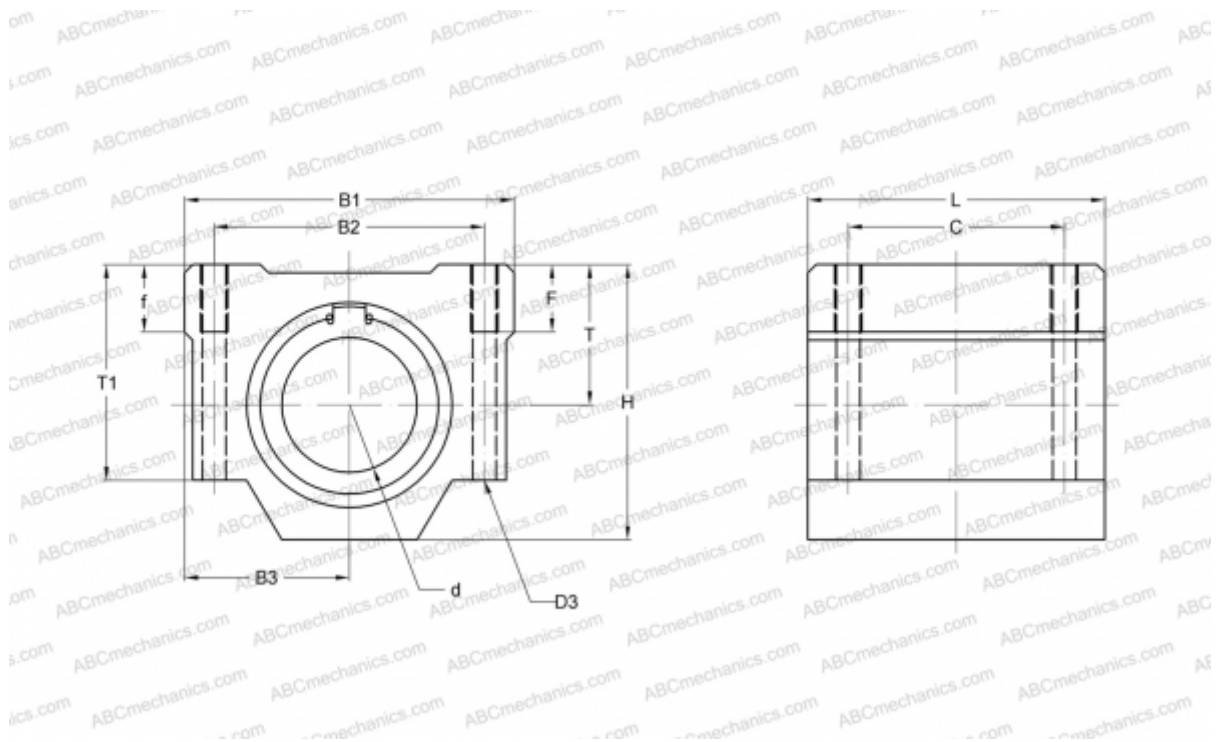


SMSA 3GWUU NB

Linear bushing, case unit

TYPE: Shaft guidance systems, Linear bushing, case unit, Close type, Double-wide block type, Type SMA ..W, Corrosion resistance (NB)



Technical specification

DIMENSIONS, MM

| | |
|----|--------|
| B1 | 16,000 |
| H | 10,000 |
| L | 23,000 |
| d | 3,000 |
| B2 | 11,000 |
| B3 | 8,000 |
| T1 | 8,000 |
| C | 16,000 |

WEIGHT, KG 0,010

MANUFACTURER [NB](#)