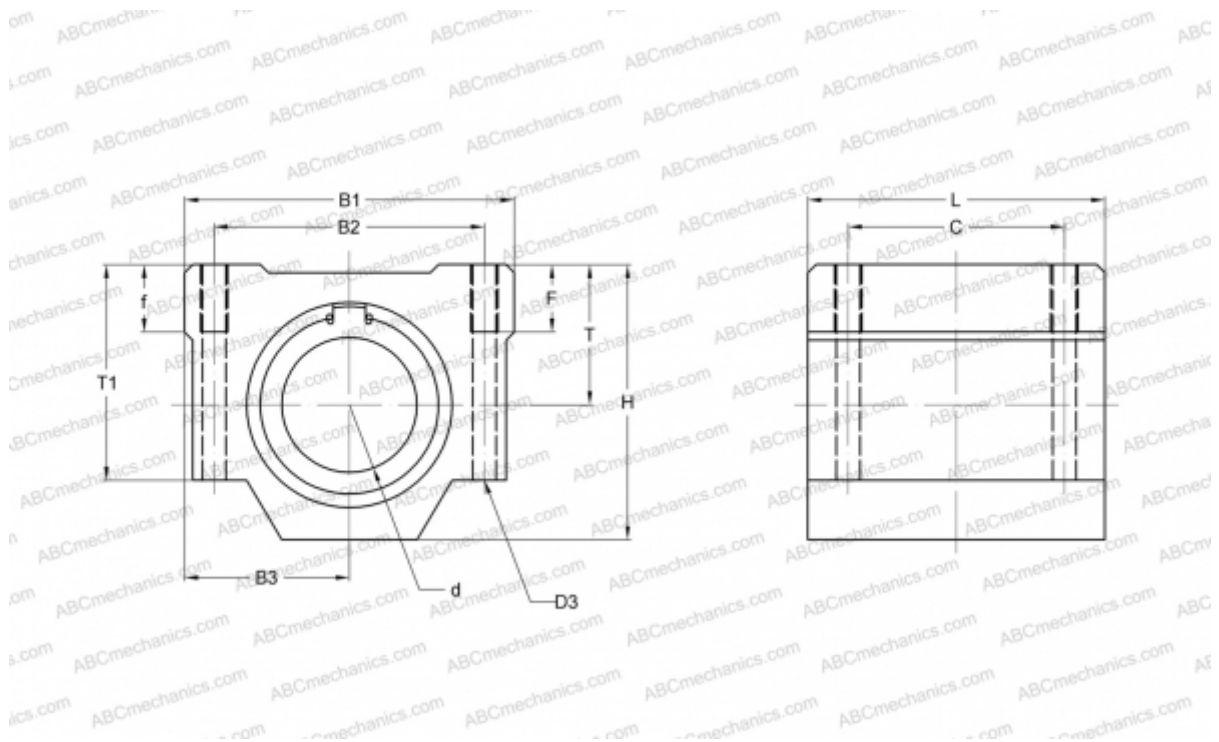


## SMSA 4GWUU NB

Linear bushing, case unit

TYPE: Shaft guidance systems, Linear bushing, case unit, Close type, Double-wide block type, Type SMA ..W, Corrosion resistance (NB)



### Technical specification

#### DIMENSIONS, MM

B1	17,000
H	11,000
L	27,000
d	4,000
B2	12,000
B3	8,500
T1	9,000
C	20,000

**WEIGHT, KG** 0,013

**MANUFACTURER** [NB](#)