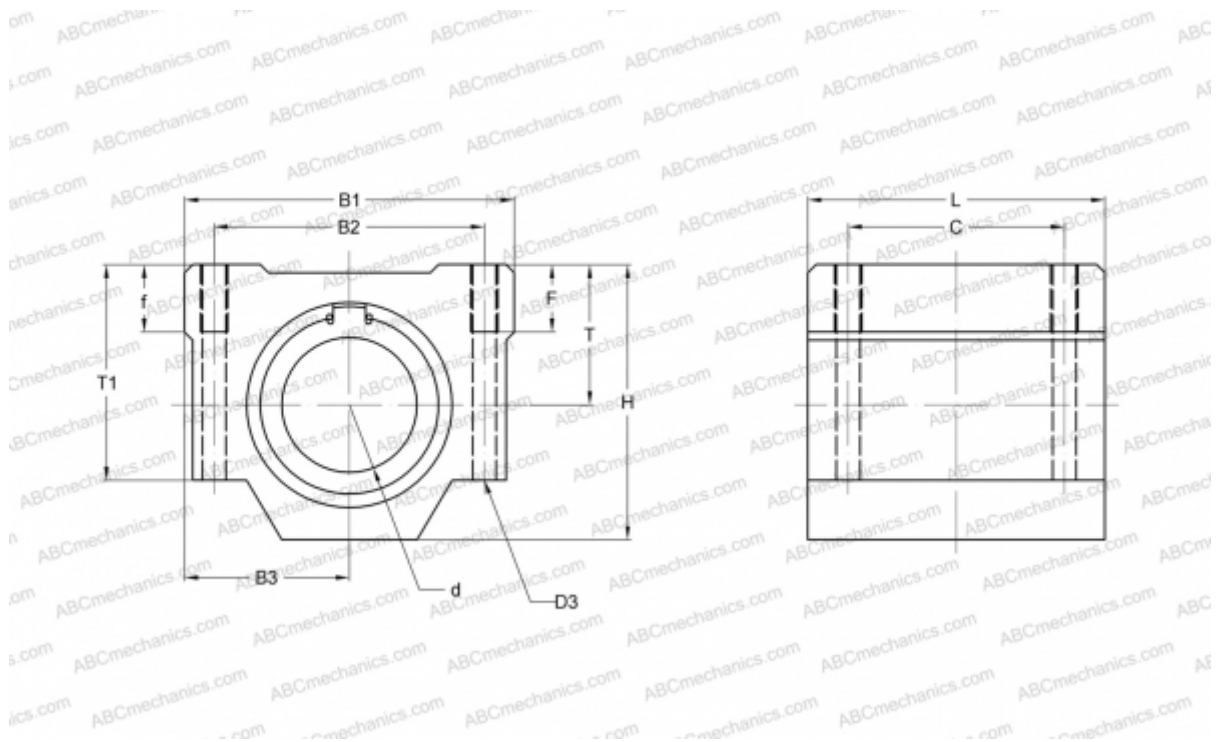


SMSA 5GWUU NB

Linear bushing, case unit

TYPE: Shaft guidance systems, Linear bushing, case unit, Close type, Double-wide block type, Type SMA ..W, Corrosion resistance (NB)



Technical specification

DIMENSIONS, MM

B1	22,000
H	14,000
L	33,000
d	5,000
B2	16,000
B3	11,000
T1	11,000
C	25,000

WEIGHT, KG 0,027

MANUFACTURER [NB](#)