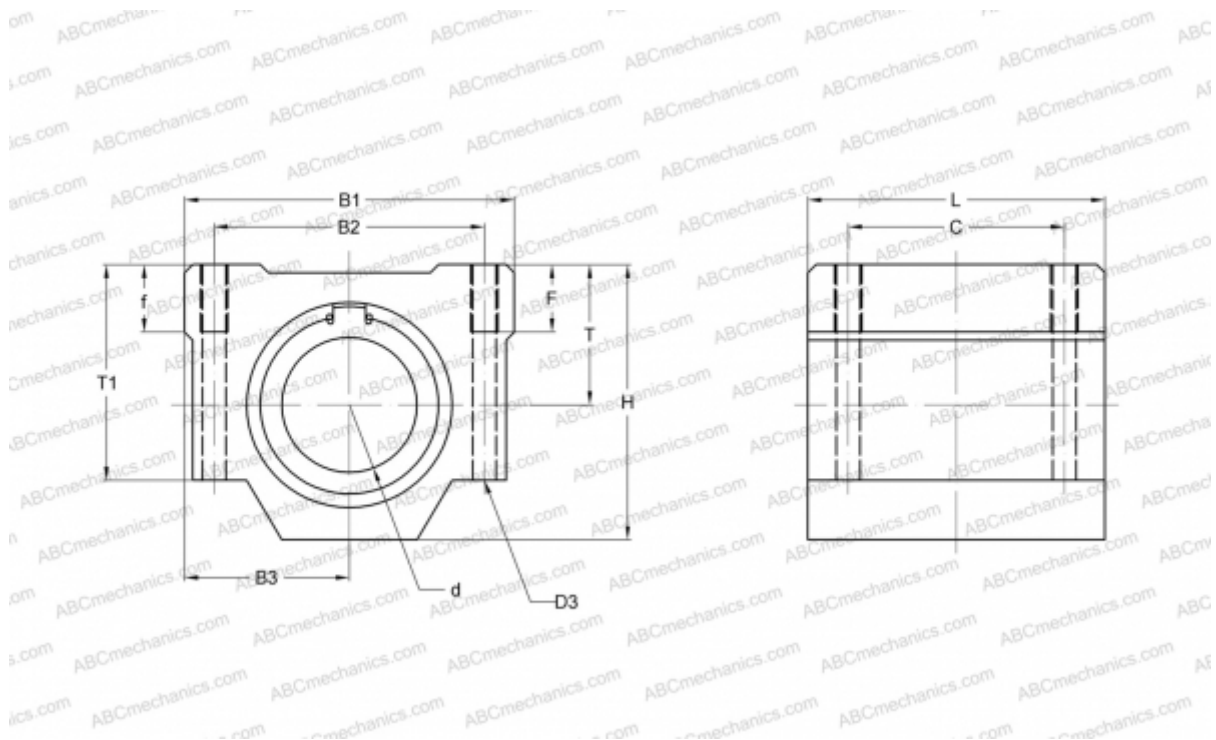


## SMSA10GWUU NB

Linear bushing, case unit

TYPE: Shaft guidance systems, Linear bushing, case unit, Close type, Double-wide block type, Type SMA ..W, Corrosion resistance (NB)



### Technical specification

#### DIMENSIONS, MM

B1	40,000
H	26,000
L	68,000
d	10,000
D3	4,300
B2	28,000
B3	20,000
T1	21,000
f	8,000
C	46,000

**WEIGHT, KG** 0,180

**MANUFACTURER** [NB](#)