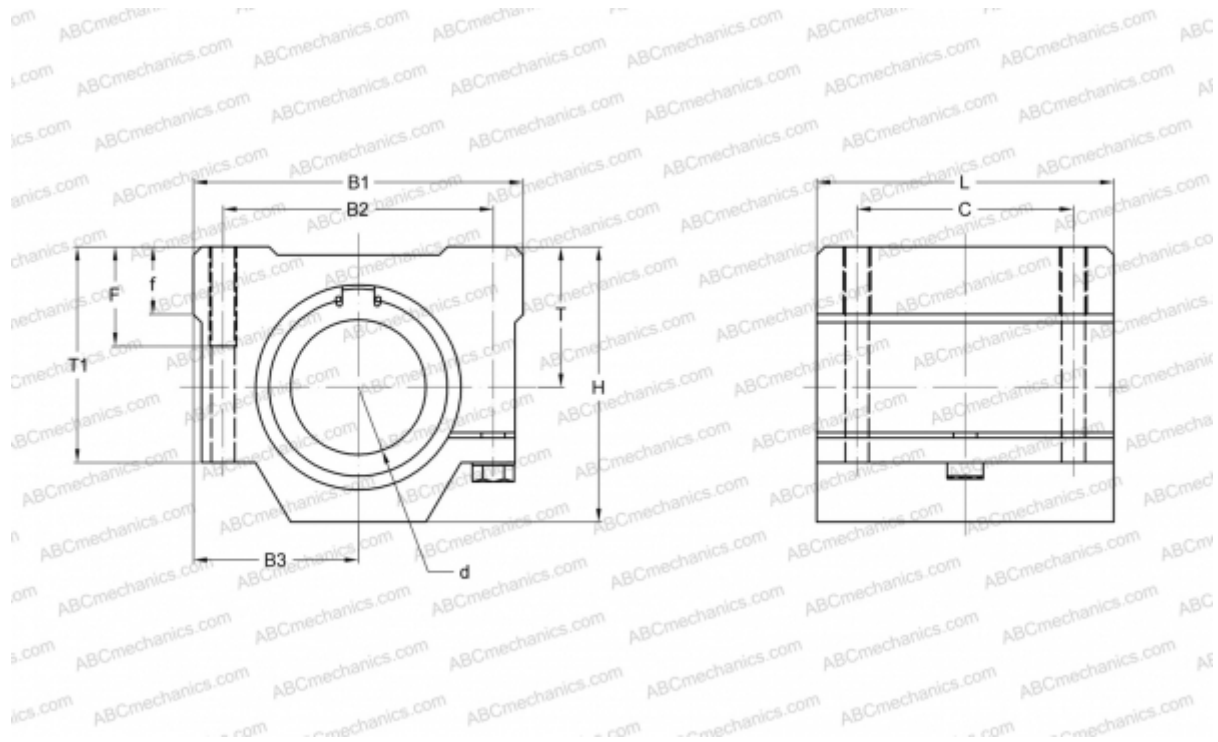


## SMJ25GUU NB

Linear bushing, case unit

TYPE: Shaft guidance systems, Linear bushing, case unit, Close type, Clearance adjustable type, Type SMJ, Standart (NB)



### Technical specification

#### DIMENSIONS, MM

B1	76,000
H	51,500
L	67,000
d	25,000
B2	54,000
B3	38,000
T	26,000
T1	42,000
f	12,000
C	50,000
F	18

**WEIGHT, KG** 0,600

**MANUFACTURER** [NB](#)