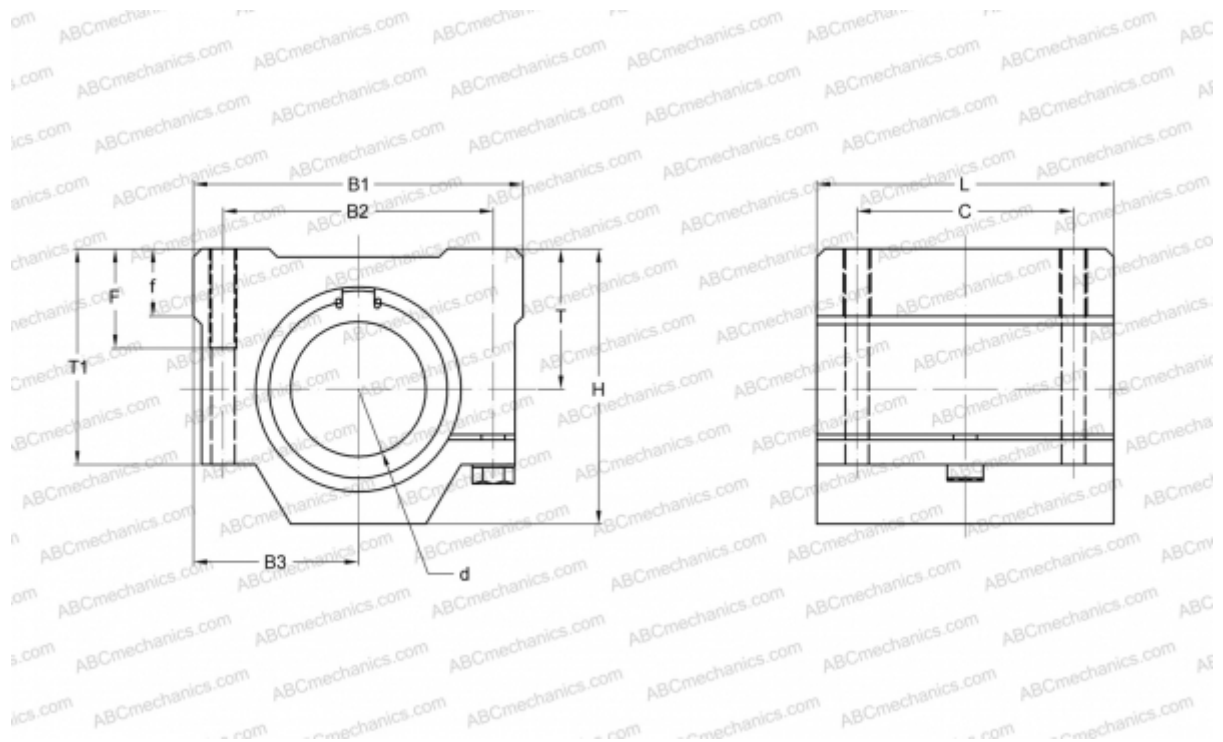


SMJ30GUU NB

Linear bushing, case unit

TYPE: Shaft guidance systems, Linear bushing, case unit, Close type, Clearance adjustable type, Type SMJ, Standart (NB)



Technical specification

DIMENSIONS, MM

| | |
|----|--------|
| B1 | 78,000 |
| H | 59,500 |
| L | 72,000 |
| d | 30,000 |
| B2 | 58,000 |
| B3 | 39,000 |
| T | 30,000 |
| T1 | 49,000 |
| f | 15,000 |
| C | 58,000 |
| F | 18 |

WEIGHT, KG 0,735

MANUFACTURER [NB](#)