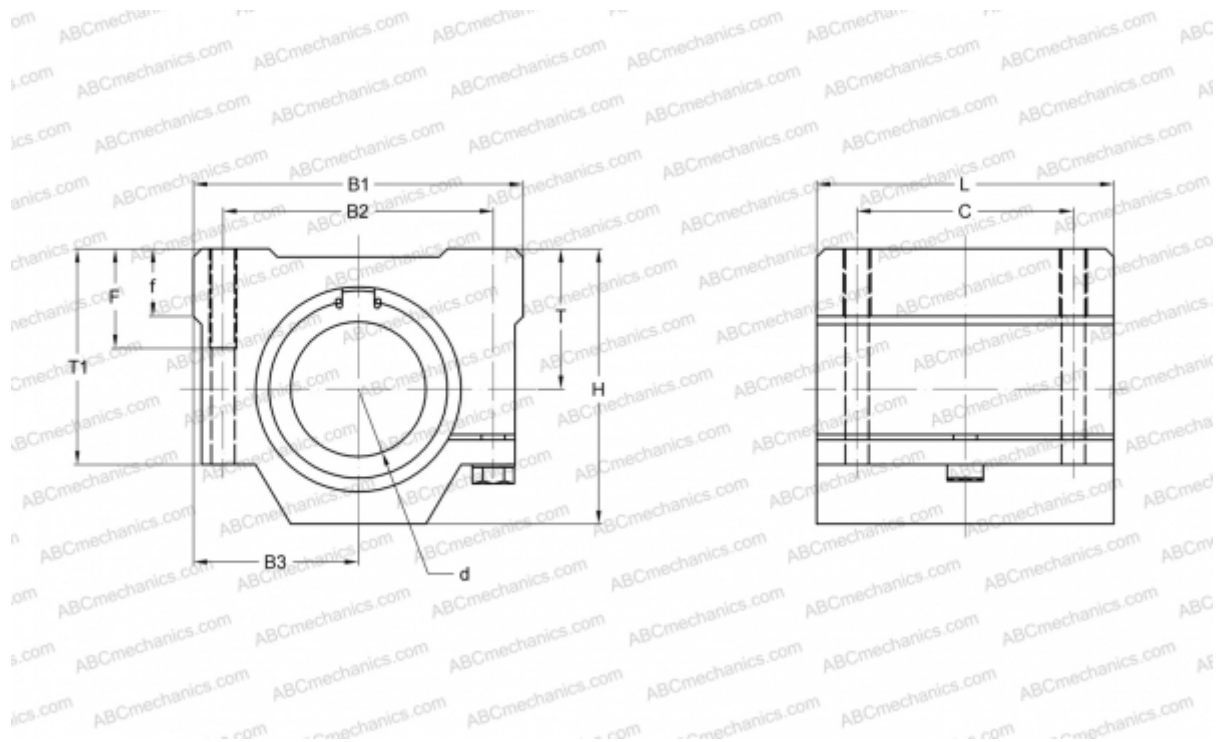


SMSJ50GUU NB

Linear bushing, case unit

TYPE: Shaft guidance systems, Linear bushing, case unit, Close type, Clearance adjustable type, Type SMJ, Corrosion resistance (NB)



Technical specification

DIMENSIONS, MM

B1	122,000
H	102,000
L	110,000
d	50,000
B2	100,000
B3	61,000
T	52,000
T1	80,000
f	25,000
C	80,000
F	25

WEIGHT, KG 3,340

MANUFACTURER [NB](#)