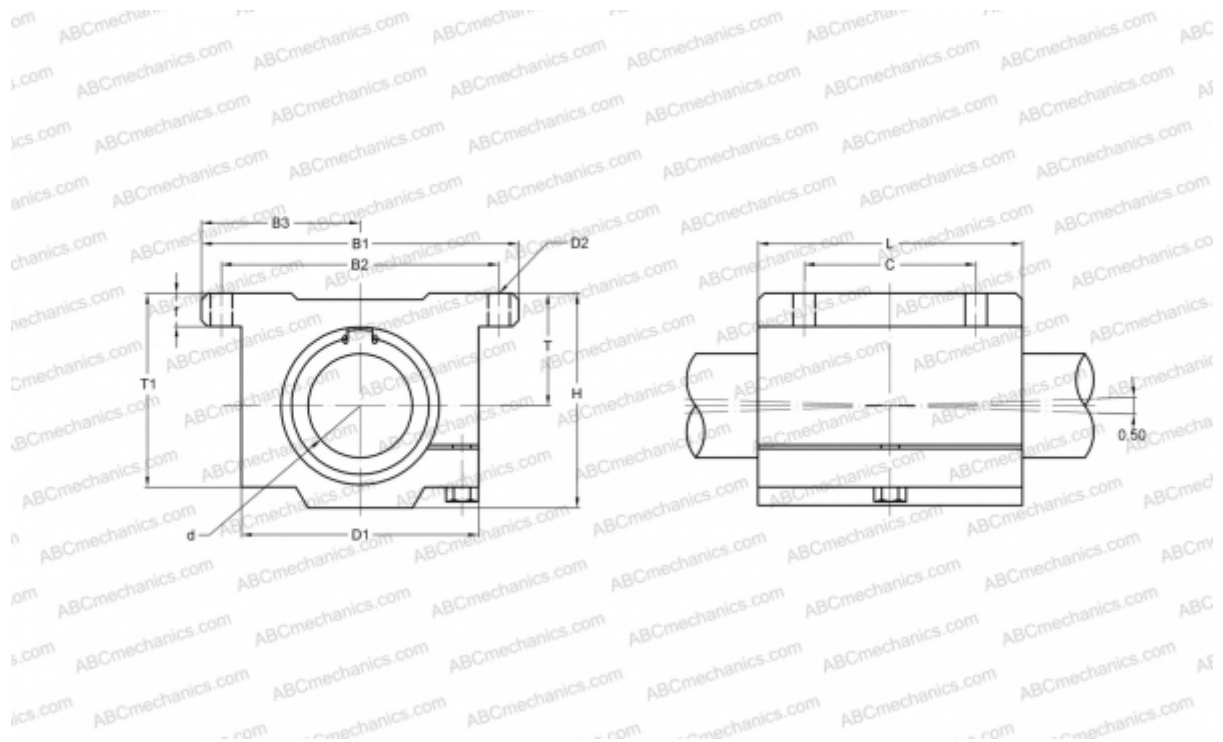


## SWSJ 20GUU NB

Linear bushing, case unit

TYPE: Shaft guidance systems, Linear bushing, case unit, Close type, Clearance adjustable type, Type SWJ, inch size, Corrosion resistance (NB)



### Technical specification

#### DIMENSIONS, MM

B1	101,600
H	71,440
L	92,080
d	31,750
D1	76,200
D2	5,560
B2	88,900
B3	50,800
T	38,100
T1	63,500
f	11,110
C	50,800

**WEIGHT, KG** 1,300

**MANUFACTURER** [NB](#)