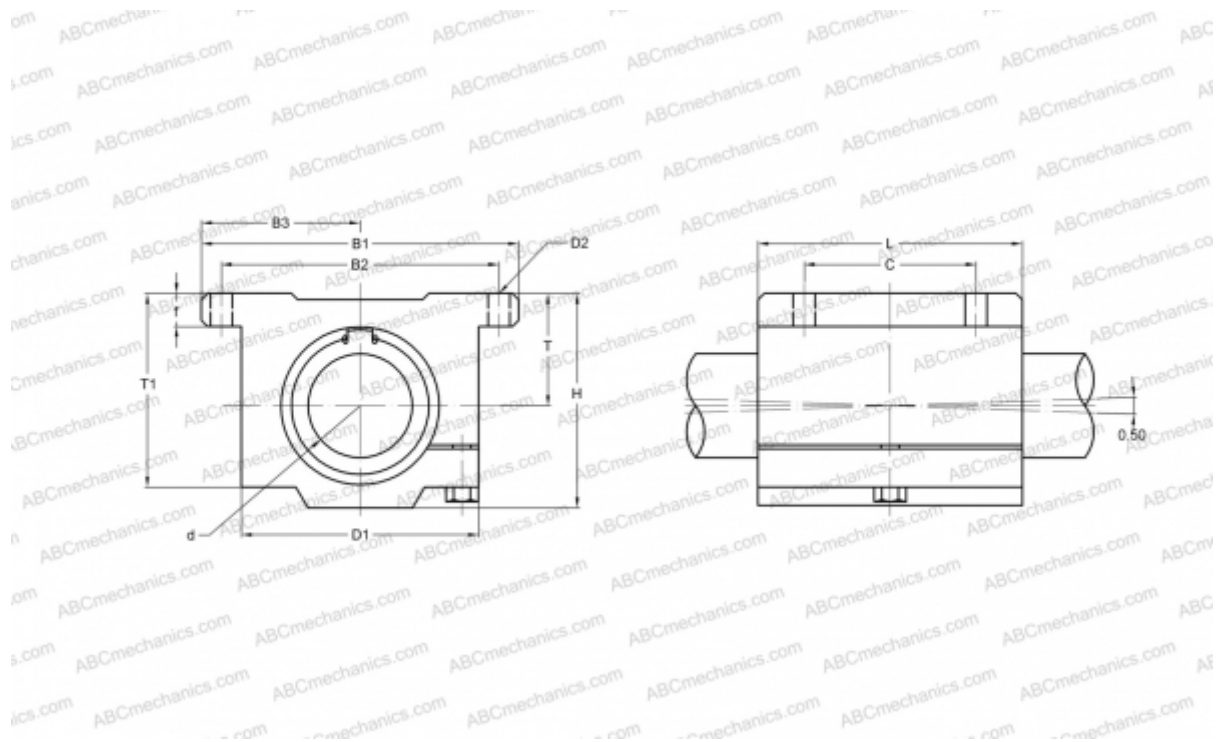


## SWSJ 24GUU NB

Linear bushing, case unit

TYPE: Shaft guidance systems, Linear bushing, case unit, Close type, Clearance adjustable type, Type SWJ, inch size, Corrosion resistance (NB)



### Technical specification

#### DIMENSIONS, MM

|    |         |
|----|---------|
| B1 | 120,650 |
| H  | 82,550  |
| L  | 101,600 |
| d  | 38,100  |
| D1 | 88,900  |
| D2 | 7,140   |
| B2 | 104,780 |
| B3 | 60,325  |
| T  | 44,450  |
| T1 | 73,030  |
| f  | 12,700  |
| C  | 50,800  |

**WEIGHT, KG** 1,900

**MANUFACTURER** [NB](#)