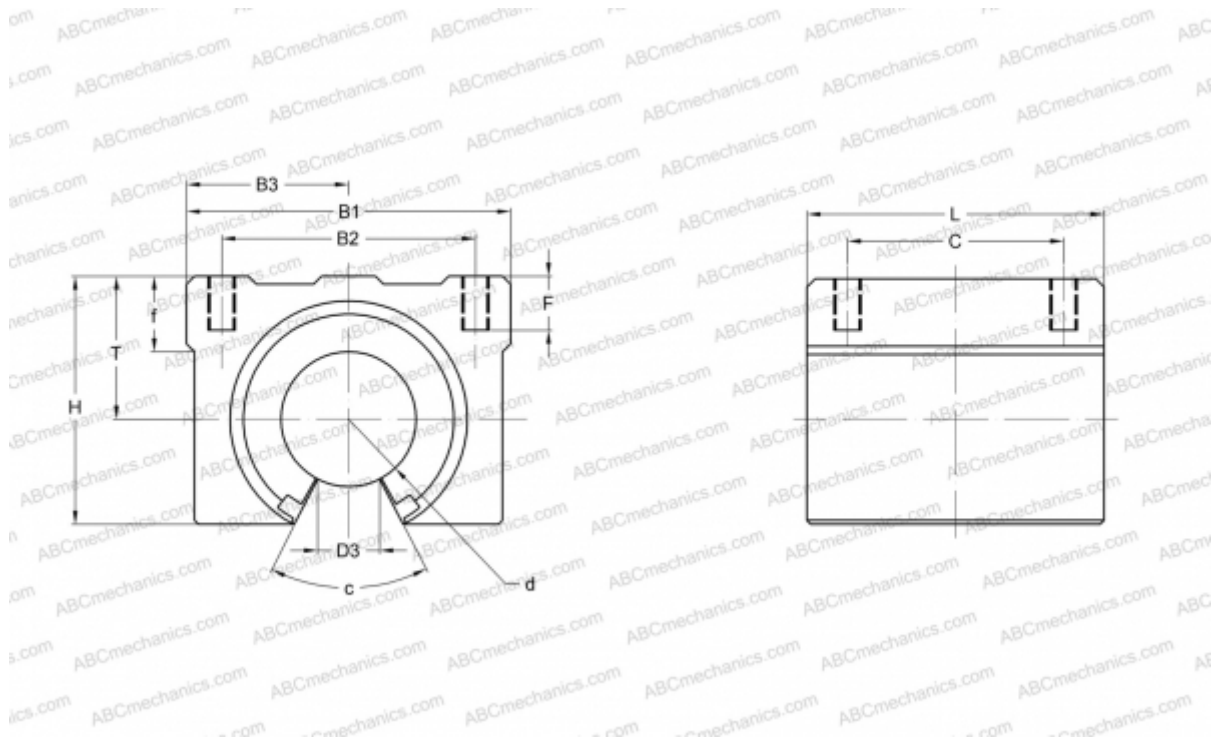


SME50GUU NB

Linear bushing, case unit

TYPE: Shaft guidance systems, Linear bushing, case unit, Open type, Block type, Type SME, Standart (NB)



Technical specification

DIMENSIONS, MM

B1	120,000
H	92,000
L	110,000
d	50,000
D3	23,000
B2	94,000
B3	60,000
T	53,000
f	25,000
C	80,000
c	50
F	20

WEIGHT, KG 3,000

MANUFACTURER [NB](#)