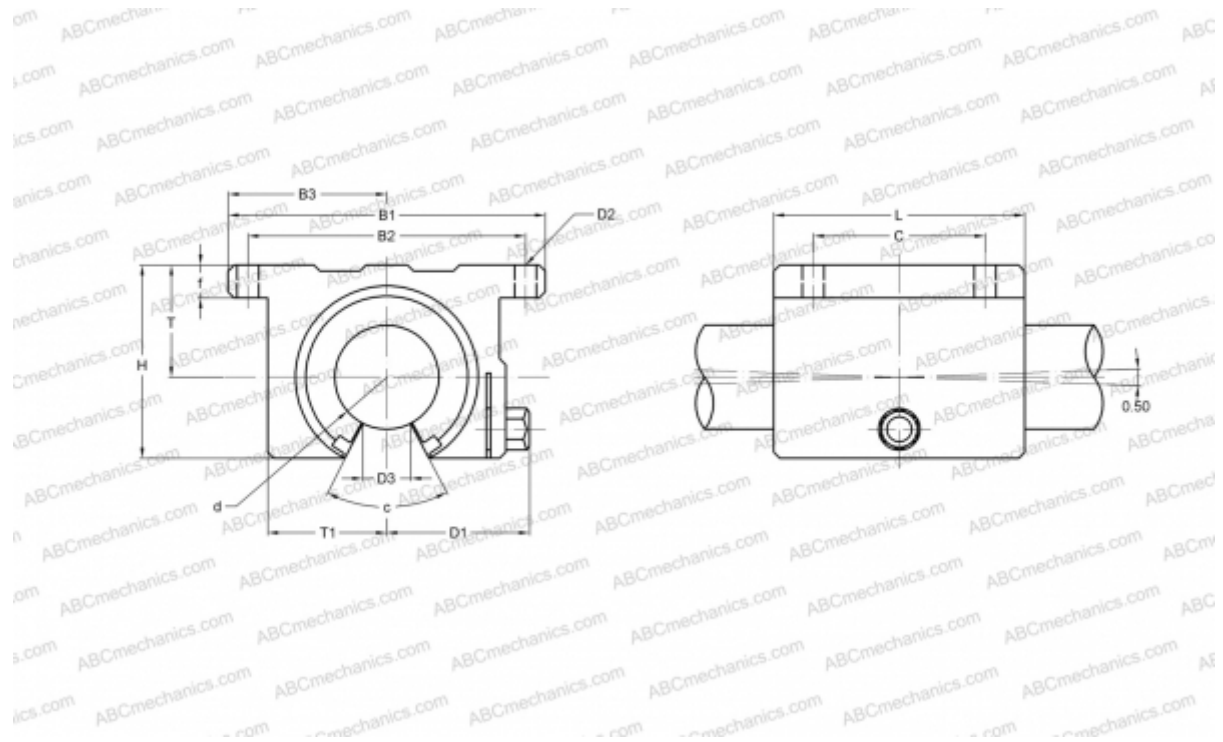


SWD 12GUU NB

Linear bushing, case unit

TYPE: Shaft guidance systems, Linear bushing, case unit, Open type, Block type, Type SWD, inch size, Standart (NB)



Technical specification

DIMENSIONS, MM

| | |
|----|--------|
| B1 | 69,850 |
| H | 39,000 |
| L | 47,630 |
| d | 19,050 |
| D1 | 31,240 |
| D3 | 11,110 |
| B2 | 60,330 |
| B3 | 34,950 |
| T | 23,800 |
| T1 | 23,800 |
| f | 8,000 |
| C | 31,750 |
| c | 60 |

WEIGHT, KG 0,235

MANUFACTURER [NB](#)