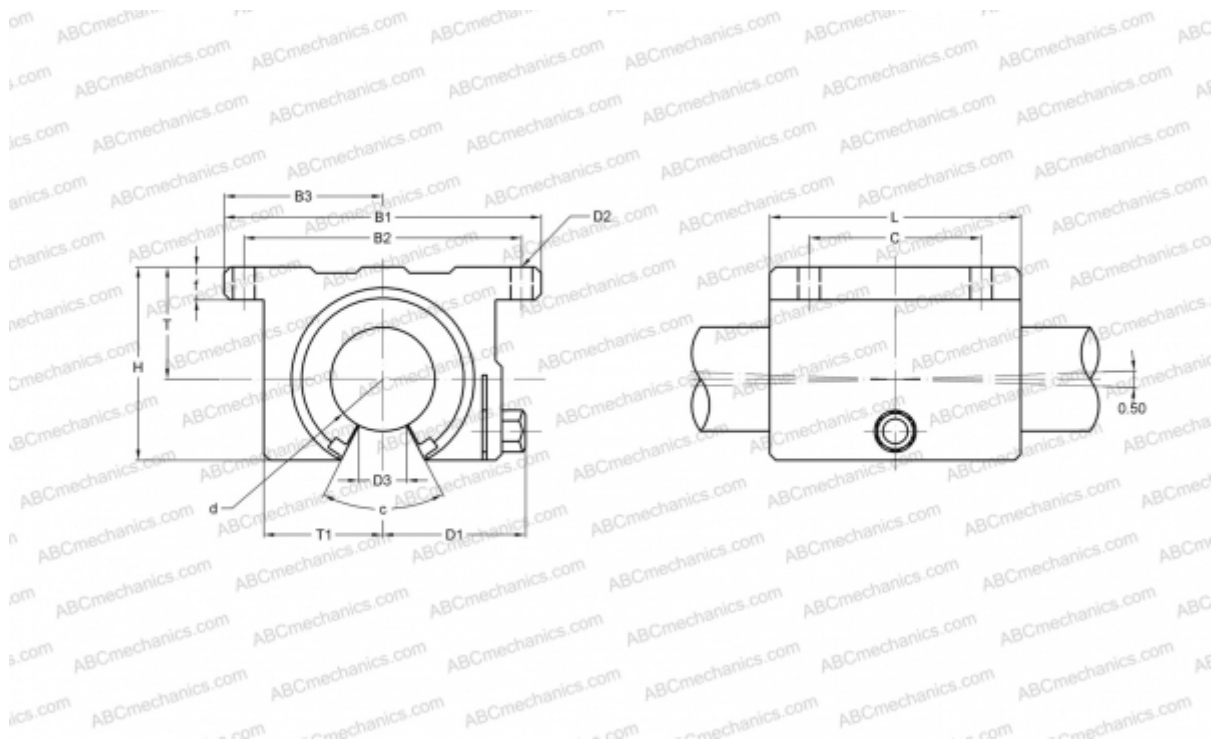


SWD 24GUU NB

Linear bushing, case unit

TYPE: Shaft guidance systems, Linear bushing, case unit, Open type, Block type, Type SWD, inch size, Standart (NB)



Technical specification

DIMENSIONS, MM

| | |
|----|---------|
| B1 | 120,650 |
| H | 73,900 |
| L | 95,250 |
| d | 38,100 |
| D1 | 53,850 |
| D3 | 19,050 |
| B2 | 104,780 |
| B3 | 60,325 |
| T | 44,450 |
| T1 | 44,450 |
| f | 12,700 |
| C | 63,500 |
| c | 50 |

WEIGHT, KG 1,620

MANUFACTURER [NB](#)