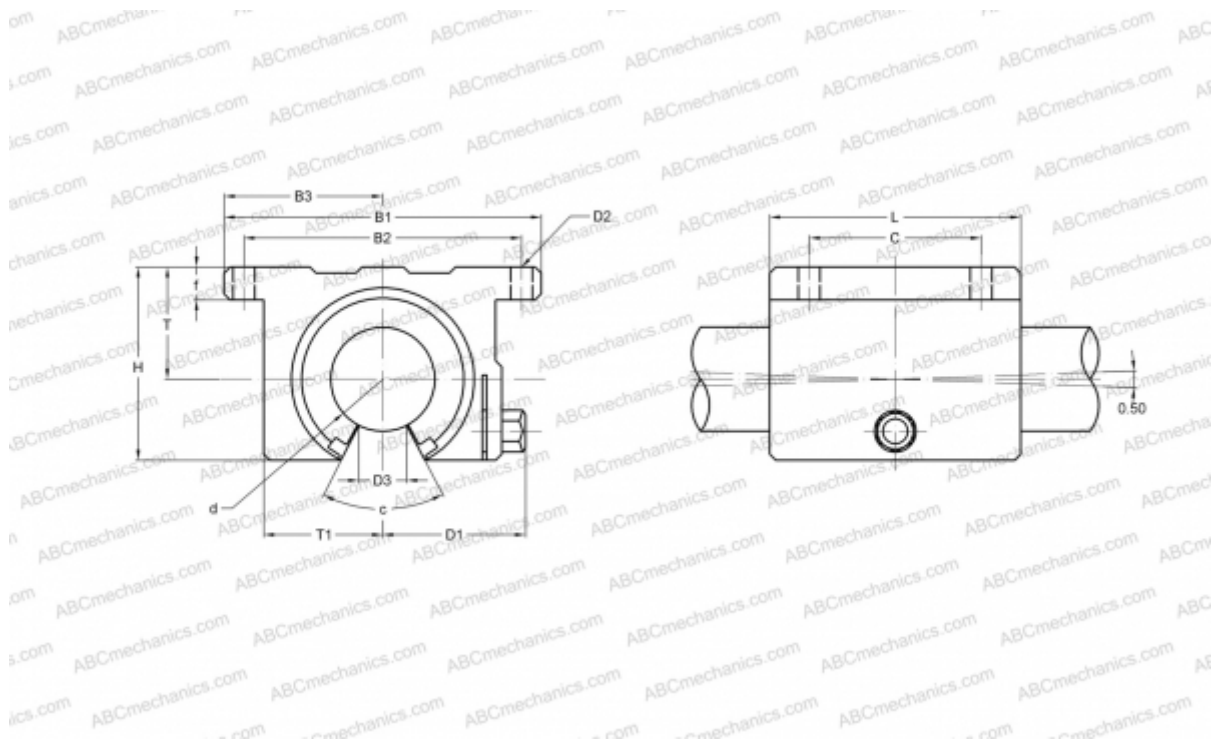


SWD 20GUU NB

Linear bushing, case unit

TYPE: Shaft guidance systems, Linear bushing, case unit, Open type, Block type, Type SWD, inch size, Corrosion resistance (NB)



Technical specification

DIMENSIONS, MM

B1	101,600
H	63,120
L	85,730
d	31,750
D1	47,750
D3	15,880
B2	88,900
B3	50,800
T	38,100
T1	38,100
f	11,100
C	50,800
c	50

WEIGHT, KG 1,080

MANUFACTURER [NB](#)