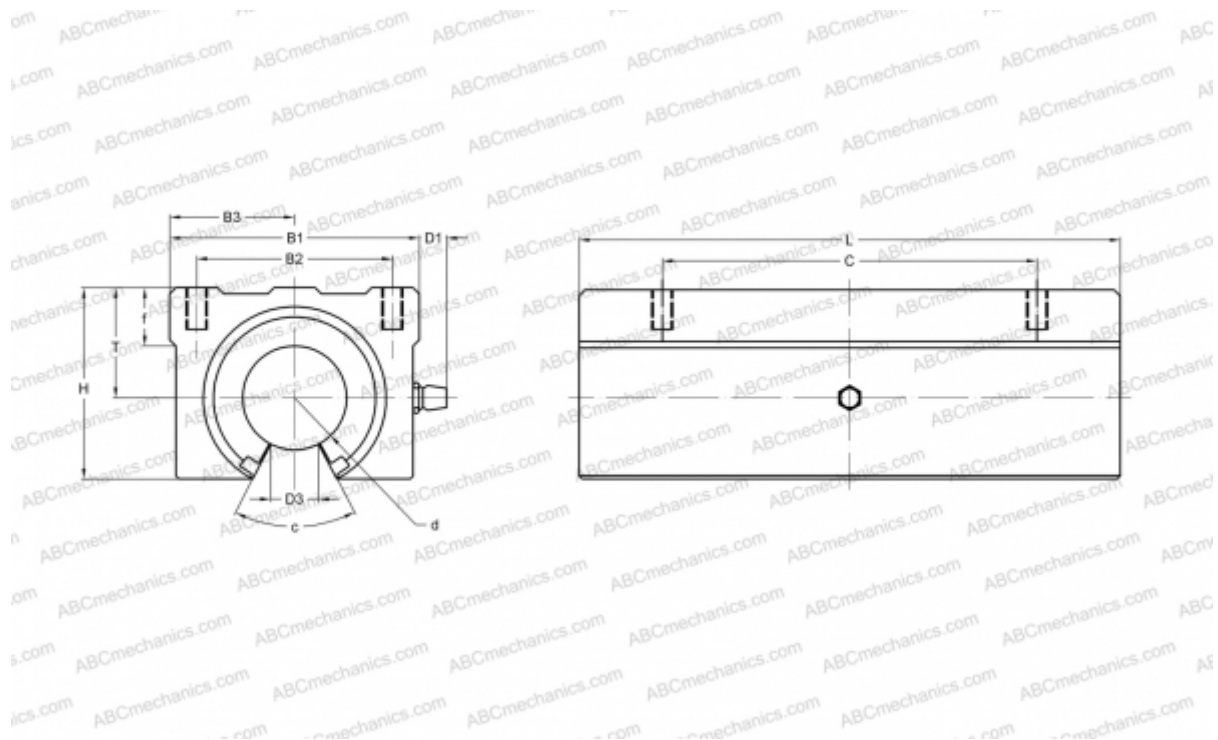


SME20GWUU NB

Linear bushing, case unit

TYPE: Shaft guidance systems, Linear bushing, case unit, Open type, Double-wide block type, Type SME..W, Standart (NB)



Technical specification

DIMENSIONS, MM

B1	48,000
H	39,000
L	95,000
d	20,000
D1	7,500
D3	10,000
B2	35,000
B3	24,000
T	23,000
f	11,000
C	70,000
c	60

WEIGHT, KG 0,400

MANUFACTURER [NB](#)