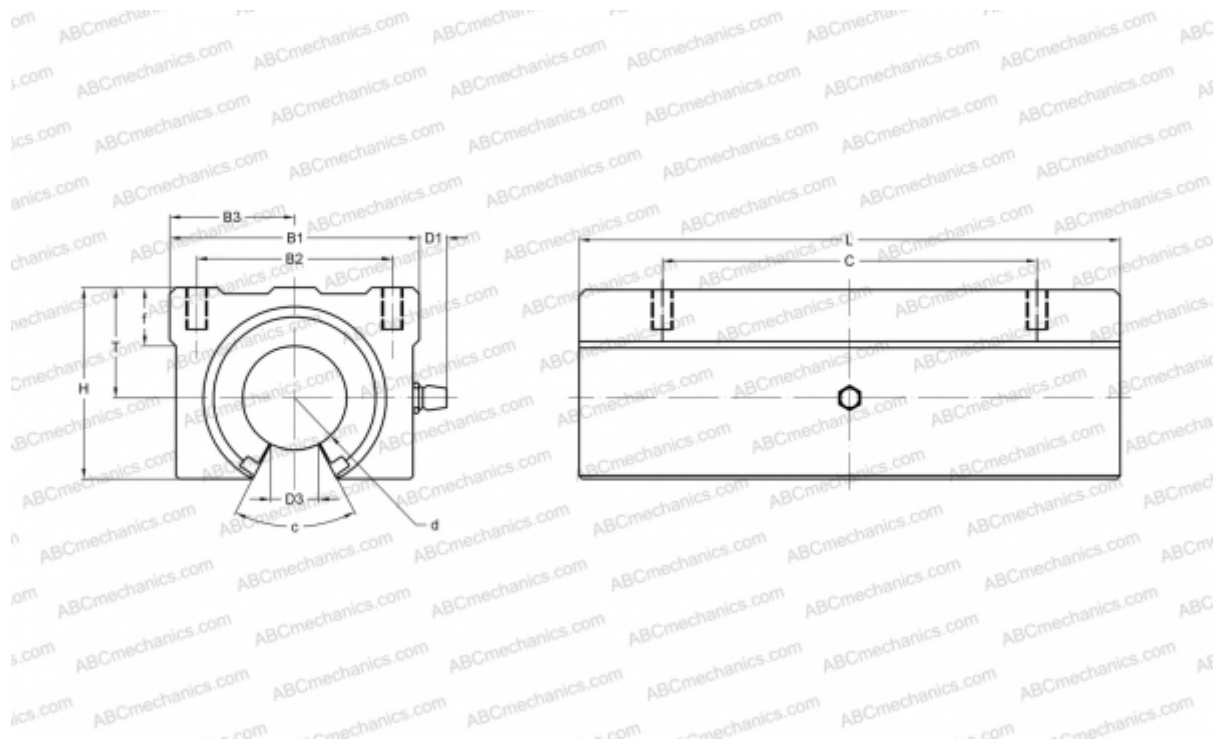


## SME25GWUU NB

Linear bushing, case unit

TYPE: Shaft guidance systems, Linear bushing, case unit, Open type, Double-wide block type, Type SME..W, Standart (NB)



### Technical specification

#### DIMENSIONS, MM

|    |         |
|----|---------|
| B1 | 60,000  |
| H  | 47,000  |
| L  | 130,000 |
| d  | 25,000  |
| D1 | 7,500   |
| D3 | 11,500  |
| B2 | 40,000  |
| B3 | 30,000  |
| T  | 27,000  |
| f  | 14,000  |
| C  | 90,000  |
| c  | 50      |

**WEIGHT, KG** 0,900

**MANUFACTURER** [NB](#)