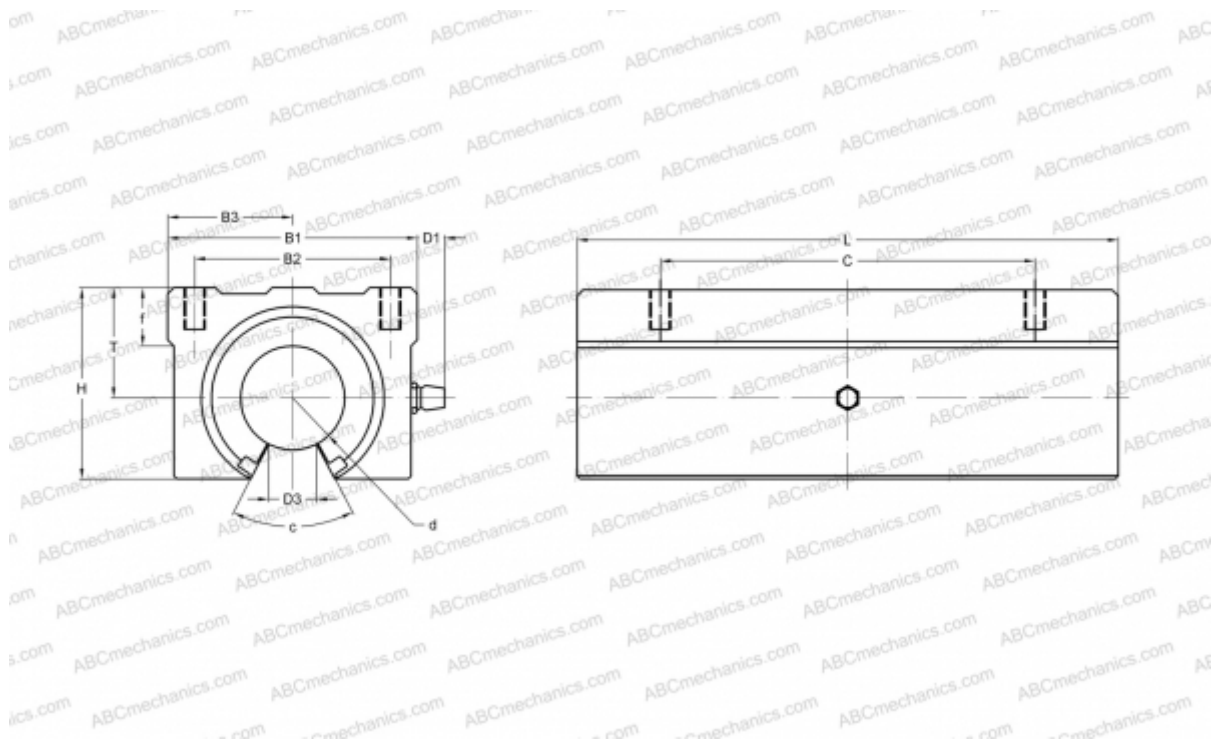


## SMSE25GWUU NB

Linear bushing, case unit

TYPE: Shaft guidance systems, Linear bushing, case unit, Open type, Double-wide block type, Type SME..W, Corrosion resistance (NB)



### Technical specification

#### DIMENSIONS, MM

B1	60,000
H	47,000
L	130,000
d	25,000
D1	7,500
D3	11,500
B2	40,000
B3	30,000
T	27,000
f	14,000
C	90,000
c	50

**WEIGHT, KG** 0,900

**MANUFACTURER** [NB](#)