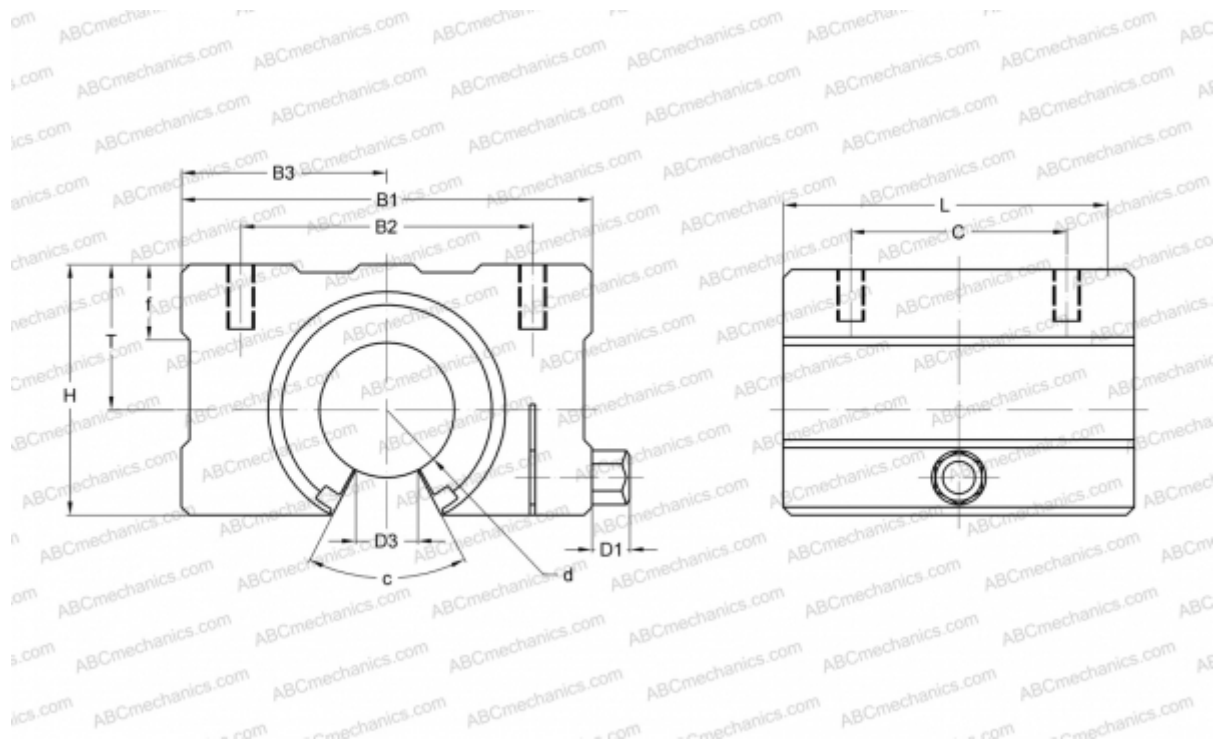


SMD16GUU NB

Linear bushing, case unit

TYPE: Shaft guidance systems, Linear bushing, case unit, Open type, Clearance adjustable type, Type SMD, Standart (NB)



Technical specification

DIMENSIONS, MM

| | |
|----|--------|
| B1 | 50,000 |
| H | 33,000 |
| L | 45,000 |
| d | 16,000 |
| D1 | 6,000 |
| D3 | 10,000 |
| B2 | 36,000 |
| B3 | 25,000 |
| T | 20,000 |
| f | 9,000 |
| C | 30,000 |
| c | 80 |

WEIGHT, KG 0,170

MANUFACTURER [NB](#)