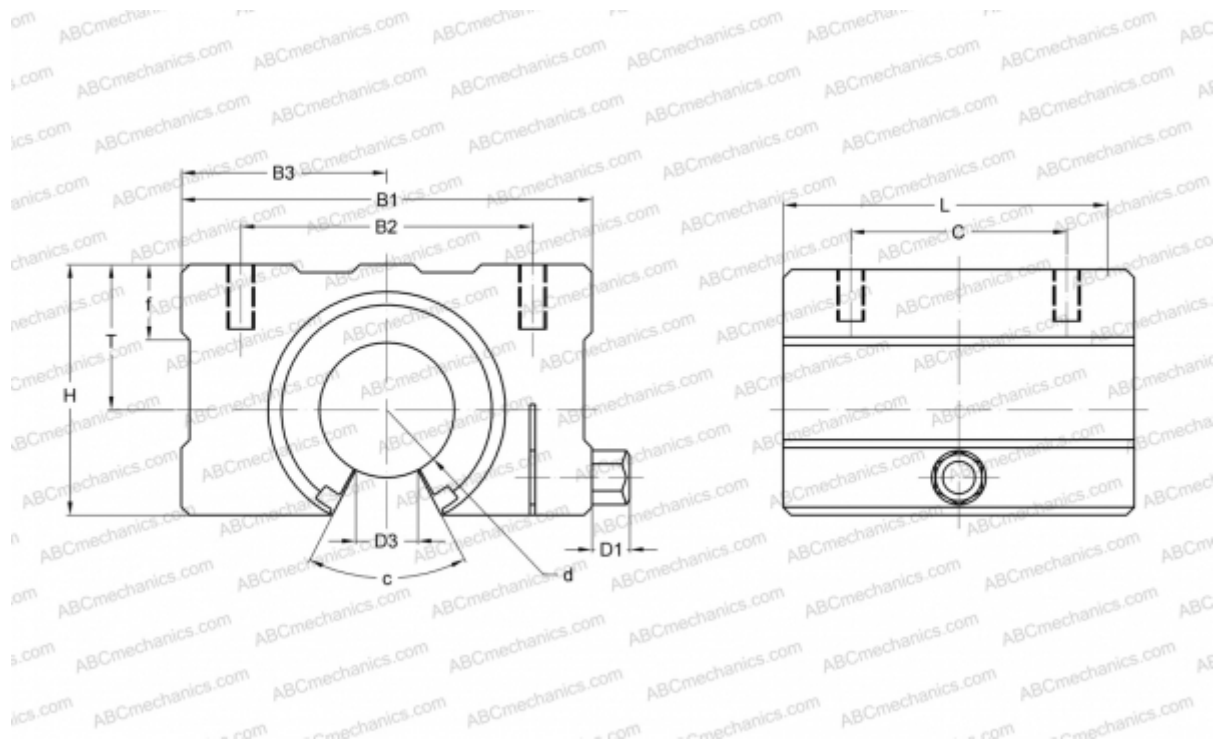


## SMD20GUU NB

Linear bushing, case unit

TYPE: Shaft guidance systems, Linear bushing, case unit, Open type, Clearance adjustable type, Type SMD, Standart (NB)



### Technical specification

#### DIMENSIONS, MM

B1	54,000
H	39,000
L	50,000
d	20,000
D1	7,000
D3	10,000
B2	40,000
B3	27,000
T	23,000
f	11,000
C	35,000
c	60

**WEIGHT, KG** 0,240

**MANUFACTURER** [NB](#)